

**TABLE OF CONTENTS**

3-SIDED FRAMES	2-4
SIDELITE CALCULATOR	5
BORROWED LITE CALCULATOR	6
GLAZING / LITE LIST PRICES	7
FIRE FRAMES	8-9
POCKET FRAMES	10-11
ALUMINUM DOOR	12
NET ADDERS	13
MISC	14-15

**PRICING INFORMATION**

- Price includes snap on trims, standard reinforcements, corner clips and frame seal
- Price excludes sales tax and freight
- See page 2 for special hardware prep pricing information
- All throat sizes net out 1/16" over call (example 3-3/4" = 3-7/8") except 5" is net
- Quotations valid for thirty (30) days
  
- PLEASE PROVIDE HARDWARE TEMPLATES FOR VERIFICATION OF COMPATIBILITY
- PLEASE CONTACT FACTORY FOR QUOTES OF 50+ FRAMES

**NOTE:** No Extended Lip Strikes Required at Flush Trim style Frames,  
With Wide Stops.  
No Extra Filler Bars for Coordinators, Rim Exit & SVR Strikes Required  
No Extra Filler Bars for Parallel Arm Closer Required

CLEAR ANODIZE

100 - 1" TRIM

JAMB WIDTH	* 3-1/2" & 3-3/4"	* 4-7/8" & 5"	* 5-1/4"	5-1/2"	* 7-1/4"	* CST 1	* CST 2
3/0 x 7/0	\$ 167.29	\$ 183.57	\$ 186.57	\$ 189.24	\$ 222.62	\$ 279.45	\$ 315.47
4/0 x 7/0	\$ 174.56	\$ 191.74	\$ 194.91	\$ 197.75	\$ 232.52	\$ 289.51	\$ 325.53
5/0 x 7/0	\$ 184.71	\$ 202.78	\$ 206.12	\$ 209.09	\$ 245.32	\$ 297.30	\$ 333.32
6/0 x 7/0	\$ 191.97	\$ 210.92	\$ 214.43	\$ 217.57	\$ 255.23	\$ 303.30	\$ 339.31
3/0 x 8/0	\$ 183.55	\$ 201.61	\$ 204.96	\$ 207.93	\$ 244.16	\$ 292.96	\$ 328.97
4/0 x 8/0	\$ 190.81	\$ 209.78	\$ 213.30	\$ 216.43	\$ 254.07	\$ 299.85	\$ 335.87
5/0 x 8/0	\$ 202.66	\$ 222.56	\$ 226.23	\$ 229.50	\$ 268.57	\$ 306.34	\$ 342.36
6/0 x 8/0	\$ 209.93	\$ 230.70	\$ 234.55	\$ 237.98	\$ 278.48	\$ 311.90	\$ 346.05
3/0 x 9/0	\$ 198.07	\$ 217.92	\$ 221.62	\$ 224.91	\$ 263.98	\$ 302.83	\$ 338.85
4/0 x 9/0	\$ 205.34	\$ 226.09	\$ 229.96	\$ 233.39	\$ 273.89	\$ 312.30	\$ 348.32
5/0 x 9/0	\$ 217.19	\$ 238.87	\$ 242.89	\$ 246.46	\$ 288.39	\$ 321.55	\$ 357.57
6/0 x 9/0	\$ 224.45	\$ 247.01	\$ 251.21	\$ 254.93	\$ 298.30	\$ 334.97	\$ 370.99
3/0 x 10/0	\$ 212.60	\$ 234.23	\$ 263.93	\$ 241.87	\$ 283.80	\$ 318.39	\$ 354.40
4/0 x 10/0	\$ 219.86	\$ 242.40	\$ 246.62	\$ 250.34	\$ 293.71	\$ 330.96	\$ 366.98
5/0 x 10/0	\$ 231.71	\$ 255.18	\$ 259.55	\$ 263.41	\$ 308.21	\$ 339.47	\$ 375.49
6/0 x 10/0	\$ 238.98	\$ 263.32	\$ 267.87	\$ 271.89	\$ 318.11	\$ 347.05	\$ 383.06

\* AVAILABLE WITH "E" STOP

001

112 - 1-1/2" TRIM

JAMB WIDTH	* 3-1/2" & 3-3/4"	* 4-7/8" & 5"	* 5-1/4"	5-1/2"	* 7-1/4"	* CST 1	* CST 2
3/0 x 7/0	\$ 188.35	\$ 204.71	\$ 207.60	\$ 210.30	\$ 243.65	\$ 310.50	\$ 343.41
4/0 x 7/0	\$ 196.13	\$ 213.42	\$ 216.46	\$ 219.29	\$ 254.10	\$ 320.56	\$ 356.58
5/0 x 7/0	\$ 206.79	\$ 224.98	\$ 228.20	\$ 231.20	\$ 267.41	\$ 328.35	\$ 364.37
6/0 x 7/0	\$ 214.60	\$ 233.66	\$ 237.06	\$ 240.19	\$ 277.86	\$ 334.35	\$ 370.36
3/0 x 8/0	\$ 205.66	\$ 223.84	\$ 227.07	\$ 230.04	\$ 266.25	\$ 324.01	\$ 360.02
4/0 x 8/0	\$ 213.44	\$ 232.52	\$ 235.93	\$ 239.06	\$ 276.70	\$ 330.90	\$ 366.92
5/0 x 8/0	\$ 228.12	\$ 248.12	\$ 251.67	\$ 254.96	\$ 294.03	\$ 337.39	\$ 373.41
6/0 x 8/0	\$ 233.63	\$ 254.50	\$ 258.23	\$ 261.66	\$ 302.18	\$ 342.95	\$ 377.10
3/0 x 9/0	\$ 221.24	\$ 241.20	\$ 244.78	\$ 248.05	\$ 287.15	\$ 333.88	\$ 369.90
4/0 x 9/0	\$ 229.01	\$ 249.89	\$ 253.64	\$ 257.07	\$ 297.57	\$ 343.35	\$ 379.37
5/0 x 9/0	\$ 241.41	\$ 263.18	\$ 267.11	\$ 270.68	\$ 312.61	\$ 352.60	\$ 388.62
6/0 x 9/0	\$ 249.21	\$ 271.89	\$ 275.97	\$ 279.69	\$ 315.39	\$ 366.02	\$ 402.04
3/0 x 10/0	\$ 236.82	\$ 258.57	\$ 262.49	\$ 266.09	\$ 308.02	\$ 349.44	\$ 385.45
4/0 x 10/0	\$ 244.59	\$ 267.25	\$ 271.35	\$ 275.08	\$ 318.44	\$ 362.01	\$ 398.03
5/0 x 10/0	\$ 256.99	\$ 280.58	\$ 284.82	\$ 288.68	\$ 333.48	\$ 370.52	\$ 406.54
6/0 x 10/0	\$ 264.79	\$ 289.26	\$ 293.68	\$ 297.70	\$ 343.93	\$ 378.10	\$ 414.11

\* AVAILABLE WITH "E" STOP

002

- CST 1 (Custom Wall Width) - up to 7-7/8" throat size
- CST 2 (Custom Wall Width) - 8" to 11-1/8" throat size
- For 2" trim add \$20.00 list to the 1-1/2" price

BRONZE ANODIZE

100 - 1" TRIM

JAMB WIDTH	* 3-1/2" & 3-3/4"	* 4-7/8" & 5"	* 5-1/4"	5-1/2"	* 7-1/4"	* CST 1	* CST 2
3/0 x 7/0	\$ 205.98	\$ 213.05	\$ 228.96	\$ 232.28	\$ 270.32	\$ 307.40	\$ 340.31
4/0 x 7/0	\$ 215.35	\$ 222.92	\$ 239.60	\$ 243.11	\$ 282.83	\$ 317.46	\$ 353.47
5/0 x 7/0	\$ 227.64	\$ 235.57	\$ 253.18	\$ 256.85	\$ 298.27	\$ 325.25	\$ 361.27
6/0 x 7/0	\$ 237.01	\$ 245.42	\$ 263.82	\$ 267.68	\$ 310.80	\$ 331.24	\$ 367.26
3/0 x 8/0	\$ 226.48	\$ 234.44	\$ 252.02	\$ 255.69	\$ 297.11	\$ 320.90	\$ 356.92
4/0 x 8/0	\$ 235.85	\$ 244.32	\$ 262.66	\$ 266.52	\$ 309.61	\$ 327.79	\$ 363.81
5/0 x 8/0	\$ 249.91	\$ 258.63	\$ 277.99	\$ 282.04	\$ 326.81	\$ 334.28	\$ 370.30
6/0 x 8/0	\$ 259.28	\$ 268.50	\$ 288.63	\$ 292.87	\$ 339.31	\$ 339.84	\$ 374.00
3/0 x 9/0	\$ 245.21	\$ 254.17	\$ 273.29	\$ 277.34	\$ 322.11	\$ 330.78	\$ 366.79
4/0 x 9/0	\$ 254.58	\$ 264.04	\$ 283.93	\$ 288.17	\$ 334.61	\$ 340.25	\$ 376.26
5/0 x 9/0	\$ 268.65	\$ 278.35	\$ 299.30	\$ 303.70	\$ 351.84	\$ 349.50	\$ 385.52
6/0 x 9/0	\$ 277.99	\$ 288.23	\$ 309.93	\$ 314.52	\$ 364.34	\$ 362.91	\$ 398.93
3/0 x 10/0	\$ 263.95	\$ 273.89	\$ 294.60	\$ 299.00	\$ 347.14	\$ 346.33	\$ 413.40
4/0 x 10/0	\$ 273.29	\$ 283.77	\$ 305.24	\$ 309.83	\$ 359.64	\$ 358.91	\$ 425.97
5/0 x 10/0	\$ 287.36	\$ 298.08	\$ 320.57	\$ 325.35	\$ 376.84	\$ 367.41	\$ 434.48
6/0 x 10/0	\$ 296.73	\$ 307.95	\$ 331.21	\$ 336.18	\$ 389.34	\$ 374.99	\$ 442.06

\* AVAILABLE WITH "E" STOP

003

112 - 1-1/2" TRIM

JAMB WIDTH	* 3-1/2" & 3-3/4"	* 4-7/8" & 5"	* 5-1/4"	5-1/2"	* 7-1/4"	* CST 1	* CST 2
3/0 x 7/0	\$ 227.48	\$ 233.47	\$ 245.44	\$ 253.75	\$ 291.82	\$ 338.45	\$ 371.36
4/0 x 7/0	\$ 237.38	\$ 243.83	\$ 256.40	\$ 265.11	\$ 304.86	\$ 348.51	\$ 384.52
5/0 x 7/0	\$ 250.21	\$ 256.99	\$ 270.24	\$ 279.42	\$ 320.84	\$ 356.30	\$ 392.32
6/0 x 7/0	\$ 260.12	\$ 267.38	\$ 281.19	\$ 290.79	\$ 333.88	\$ 362.29	\$ 398.31
3/0 x 8/0	\$ 249.05	\$ 255.88	\$ 269.07	\$ 278.24	\$ 319.68	\$ 351.95	\$ 387.97
4/0 x 8/0	\$ 258.96	\$ 266.27	\$ 280.05	\$ 289.63	\$ 332.72	\$ 358.84	\$ 394.86
5/0 x 8/0	\$ 275.91	\$ 283.33	\$ 297.91	\$ 308.04	\$ 352.81	\$ 365.33	\$ 401.35
6/0 x 8/0	\$ 283.45	\$ 291.49	\$ 306.57	\$ 317.06	\$ 363.50	\$ 370.89	\$ 405.05
3/0 x 9/0	\$ 268.87	\$ 276.64	\$ 291.01	\$ 301.00	\$ 345.76	\$ 361.83	\$ 397.84
4/0 x 9/0	\$ 278.75	\$ 287.02	\$ 301.96	\$ 312.36	\$ 358.80	\$ 371.30	\$ 407.31
5/0 x 9/0	\$ 293.36	\$ 301.85	\$ 317.52	\$ 328.43	\$ 376.57	\$ 380.55	\$ 416.57
6/0 x 9/0	\$ 303.26	\$ 312.24	\$ 328.50	\$ 339.80	\$ 389.61	\$ 393.96	\$ 429.98
3/0 x 10/0	\$ 288.66	\$ 297.39	\$ 312.92	\$ 323.73	\$ 371.87	\$ 377.38	\$ 444.45
4/0 x 10/0	\$ 298.57	\$ 307.77	\$ 323.90	\$ 335.10	\$ 384.91	\$ 389.96	\$ 457.02
5/0 x 10/0	\$ 313.17	\$ 322.60	\$ 339.46	\$ 351.16	\$ 402.65	\$ 398.46	\$ 465.53
6/0 x 10/0	\$ 323.08	\$ 332.99	\$ 350.41	\$ 362.53	\$ 415.69	\$ 406.04	\$ 473.11

\* AVAILABLE WITH "E" STOP

004

- CST 1 (Custom Wall Width) - up to 7-7/8" throat size
- CST 2 (Custom Wall Width) - 8" to 11-1/8" throat size
- For 2" trim add \$20.00 list to the 1-1/2" price
- Painted white stocked in 4-7/8" - 5" wall size, use Bronze anodize list price

BLACK ANODIZE

100 - 1" TRIM

JAMB WIDTH	* 3-1/2" & 3-3/4"	* 4-7/8" & 5"	* 5-1/4"
3/0 x 7/0	\$ 216.00	\$ 238.11	\$ 241.87
4/0 x 7/0	\$ 226.15	\$ 249.21	\$ 253.21
5/0 x 7/0	\$ 235.74	\$ 263.32	\$ 267.52
6/0 x 7/0	\$ 247.81	\$ 274.44	\$ 278.83
3/0 x 8/0	\$ 237.28	\$ 262.12	\$ 266.33
4/0 x 8/0	\$ 246.65	\$ 273.22	\$ 277.64
5/0 x 8/0	\$ 260.79	\$ 289.12	\$ 293.73
6/0 x 8/0	\$ 270.08	\$ 300.25	\$ 305.07
3/0 x 9/0	\$ 256.01	\$ 284.35	\$ 288.98
4/0 x 9/0	\$ 265.38	\$ 295.45	\$ 300.32
5/0 x 9/0	\$ 279.45	\$ 311.35	\$ 316.41
6/0 x 9/0	\$ 288.79	\$ 322.47	\$ 327.73
3/0 x 10/0	\$ 274.75	\$ 306.57	\$ 311.63
4/0 x 10/0	\$ 284.09	\$ 317.67	\$ 322.97
5/0 x 10/0	\$ 300.86	\$ 333.57	\$ 339.07
6/0 x 10/0	\$ 307.53	\$ 344.70	\$ 350.41

\* AVAILABLE WITH "E" STOP

014

112 - 1-1/2" TRIM

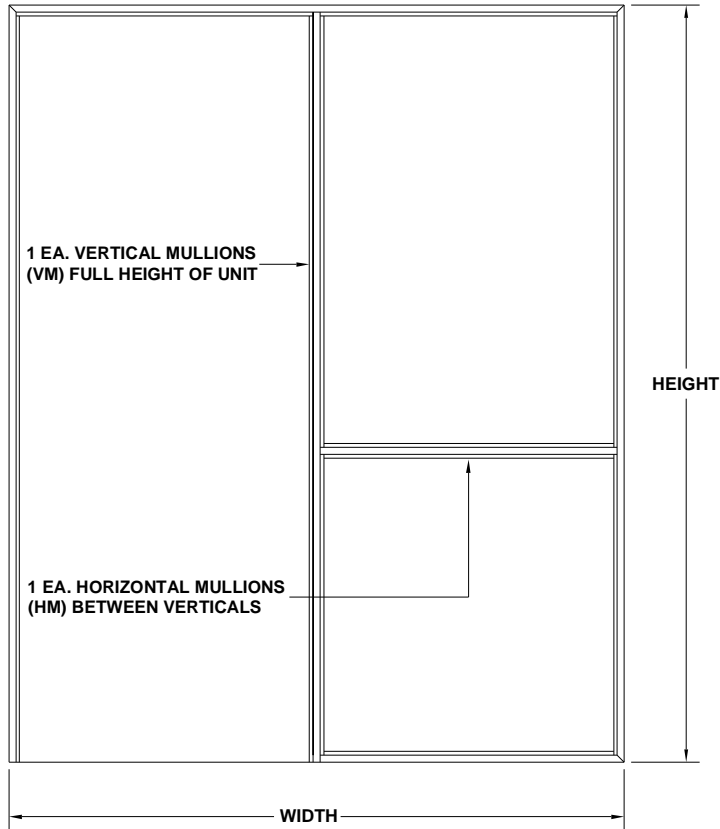
JAMB WIDTH	* 3-1/2" & 3-3/4"	* 4-7/8" & 5"	* 5-1/4"
3/0 x 7/0	\$ 238.28	\$ 258.25	\$ 263.66
4/0 x 7/0	\$ 248.18	\$ 270.29	\$ 275.54
5/0 x 7/0	\$ 261.01	\$ 285.59	\$ 290.39
6/0 x 7/0	\$ 270.92	\$ 294.92	\$ 302.27
3/0 x 8/0	\$ 259.85	\$ 281.69	\$ 289.20
4/0 x 8/0	\$ 269.76	\$ 293.61	\$ 301.08
5/0 x 8/0	\$ 286.71	\$ 310.70	\$ 320.09
6/0 x 8/0	\$ 294.25	\$ 319.67	\$ 329.59
3/0 x 9/0	\$ 279.67	\$ 302.74	\$ 312.96
4/0 x 9/0	\$ 289.55	\$ 314.55	\$ 324.84
5/0 x 9/0	\$ 304.16	\$ 331.48	\$ 341.47
6/0 x 9/0	\$ 314.06	\$ 343.33	\$ 353.35
3/0 x 10/0	\$ 299.46	\$ 326.40	\$ 336.72
4/0 x 10/0	\$ 309.37	\$ 338.22	\$ 348.60
5/0 x 10/0	\$ 323.97	\$ 355.14	\$ 365.23
6/0 x 10/0	\$ 333.88	\$ 366.99	\$ 377.11

\* AVAILABLE WITH "E" STOP

015

- For 2" trim add \$20.00 list to the 1-1/2" price

SIDELITE PRICE FORMULA

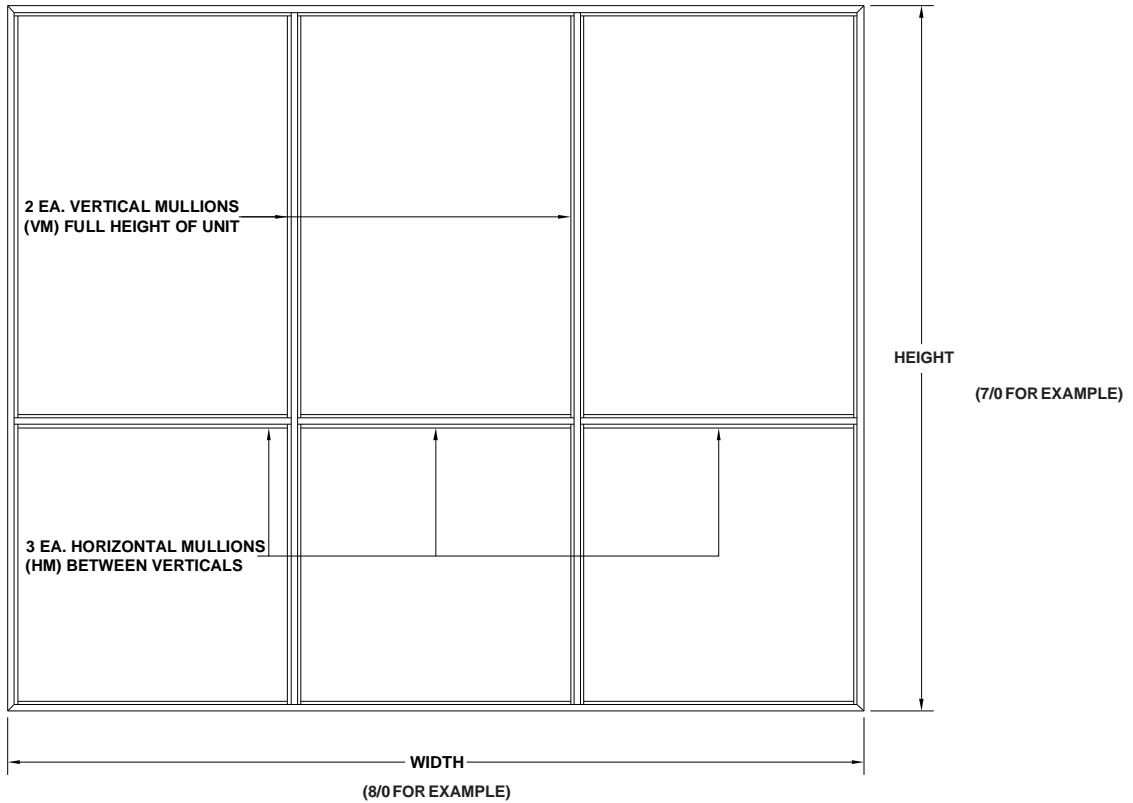


3/0 x 7/0 door with 3/0 sidelite and 1 horizontal mullion

door list	X	2	_____	+
mullion LF list	X	3	_____	+
total list price			_____	=

- For sidelite unit widths up to 3/0 wide sidelite 2 times door list price
- For horizontal mullions see mullion lineal foot list pricing page 7
- For vertical mullions see mullion lineal foot list pricing page 7
- For sidelite unit widths over 3/0 wide sidelite, 2 times door list price, add borrowed lite width list price times every foot over 3/0 wide sidelite, page 7

BORROWED LITE CALCULATOR



**Borrowed Lite Formula**

**Fabrication Cost: \$35.00**

Example: 8'0 W x 7'0 H, Clear Anodized, 1" Trim, 5" Throat, 2 VM & 3 HM, On Floor

Width	8	x	24.00	=	192.00
Height	7	x	21.50	=	150.50
Vertical Mullion (VM) - Total LF	14	x	17.00	=	238.00
Horizontal Mullion (HM) - Total LF	8	x	20.75	=	166.00
On Floor (Sill Starter)	8	x	4.25	=	34.00
Fabrication	1	x	35.00	=	35.00
					815.50
		<b>Discount</b>	x		0.40
		<b>Net</b>			<b>326.20</b>

04

**GLAZING / LITE LIST PRICES**

100 - 1" TRIM CLEAR ANO						All Door Frames W/ Applied Stop			
Throat	3-1/2"	3-3/4"	4-7/8"	5"	5-1/4"	5-1/2"	7-1/4"	CST1	CST2
Width	\$21.50	\$21.50	\$24.75	\$24.75	\$24.75	\$27.00	\$30.00	\$33.50	\$38.00
Height	\$18.00	\$18.00	\$21.50	\$21.50	\$21.75	\$27.00	\$30.00	\$33.50	\$38.00
VM	\$15.00	\$15.00	\$18.50	\$18.50	\$18.50	\$24.50	\$27.50	\$31.00	\$35.75
HM	\$19.00	\$19.00	\$22.00	\$22.00	\$22.00	\$24.50	\$27.50	\$31.00	\$35.75

112 - 1-1/2" TRIM CLEAR ANO						All Door Frames W/ Applied Stop			
Throat	3-1/2"	3-3/4"	4-7/8"	5"	5-1/4"	5-1/2"	7-1/4"	CST1	CST2
Width	\$23.00	\$23.00	\$26.00	\$26.00	\$26.00	\$28.00	\$31.50	\$34.75	\$39.50
Height	\$19.50	\$19.50	\$23.00	\$23.00	\$23.25	\$28.00	\$31.50	\$34.75	\$39.50
VM	\$16.50	\$16.50	\$19.00	\$19.00	\$19.00	\$25.50	\$28.50	\$31.75	\$36.50
HM	\$20.50	\$20.50	\$22.75	\$22.75	\$22.75	\$25.50	\$28.50	\$31.75	\$36.50

100 - 1" TRIM BRONZE ANO						All Door Frames W/ Applied Stop			
Throat	3-1/2"	3-3/4"	4-7/8"	5"	5-1/4"	5-1/2"	7-1/4"	CST1	CST2
Width	\$25.25	\$25.25	\$28.00	\$28.00	\$28.00	\$30.00	\$31.50	\$36.50	\$45.75
Height	\$22.50	\$22.50	\$24.00	\$24.00	\$24.00	\$30.00	\$31.50	\$36.50	\$45.75
VM	\$19.00	\$19.00	\$20.00	\$20.00	\$20.00	\$26.75	\$30.00	\$34.00	\$39.50
HM	\$23.00	\$23.00	\$24.50	\$24.50	\$26.00	\$26.75	\$30.00	\$34.00	\$39.50

112 - 1-1/2" TRIM BRONZE ANO						All Door Frames W/ Applied Stop			
Throat	3-1/2"	3-3/4"	4-7/8"	5"	5-1/4"	5-1/2"	7-1/4"	CST1	CST2
Width	\$26.00	\$26.00	\$29.25	\$29.25	\$30.00	\$31.00	\$33.00	\$38.00	\$47.25
Height	\$23.00	\$23.00	\$25.00	\$25.00	\$25.50	\$31.00	\$33.00	\$38.00	\$47.25
VM	\$19.00	\$19.00	\$21.75	\$21.75	\$22.50	\$27.50	\$31.50	\$35.50	\$41.00
HM	\$21.75	\$21.75	\$26.00	\$26.00	\$27.50	\$27.50	\$31.50	\$35.50	\$41.00

05

- For 2" trim add \$1.50 per LF to the 1-1/2" list price
- For side lite formula - see page 5
- For borrowed lite formula - see page 6
- On floor (sill starter) add \$4.25 per LF

90 MINUTE FRAME

CLEAR ANODIZE 100 - 1" TRIM

SIZE	CST 1	CST 2
3/0 x 7/0	\$ 858.80	\$ 905.30
4/0 x 7/0	\$ 872.45	\$ 918.95
5/0 x 7/0	\$ 886.10	\$ 932.59
6/0 x 7/0	\$ 899.75	\$ 946.24
3/0 x 8/0	\$ 886.10	\$ 932.59
4/0 x 8/0	\$ 899.75	\$ 946.24
5/0 x 8/0	\$ 913.40	\$ 959.89
6/0 x 8/0	\$ 927.05	\$ 973.54
3/0 x 9/0	\$ 915.64	\$ 963.68

016

CLEAR ANODIZE 112 - 1-1/2" TRIM

SIZE	CST 1	CST 2
3/0 x 7/0	\$ 870.71	\$ 917.20
4/0 x 7/0	\$ 884.36	\$ 930.85
5/0 x 7/0	\$ 898.01	\$ 944.50
6/0 x 7/0	\$ 911.66	\$ 958.15
3/0 x 8/0	\$ 898.01	\$ 944.50
4/0 x 8/0	\$ 911.66	\$ 958.15
5/0 x 8/0	\$ 925.30	\$ 971.83
6/0 x 8/0	\$ 938.95	\$ 985.45
3/0 x 9/0	\$ 927.94	\$ 975.98

017

BRONZE ANODIZE 100 - 1" TRIM

SIZE	CST 1	CST 2
3/0 x 7/0	\$ 876.30	\$ 922.79
4/0 x 7/0	\$ 890.92	\$ 937.41
5/0 x 7/0	\$ 905.54	\$ 952.03
6/0 x 7/0	\$ 920.16	\$ 966.65
3/0 x 8/0	\$ 905.54	\$ 952.03
4/0 x 8/0	\$ 920.16	\$ 966.65
5/0 x 8/0	\$ 934.78	\$ 966.65
6/0 x 8/0	\$ 949.40	\$ 995.90
3/0 x 9/0	\$ 935.72	\$ 983.77

018

BRONZE ANODIZE 112 - 1-1/2" TRIM

SIZE	CST 1	CST 2
3/0 x 7/0	\$ 888.21	\$ 934.70
4/0 x 7/0	\$ 902.83	\$ 949.32
5/0 x 7/0	\$ 917.45	\$ 963.94
6/0 x 7/0	\$ 932.07	\$ 978.56
3/0 x 8/0	\$ 917.45	\$ 963.94
4/0 x 8/0	\$ 932.07	\$ 978.56
5/0 x 8/0	\$ 946.69	\$ 993.18
6/0 x 8/0	\$ 961.31	\$ 1,007.80
3/0 x 9/0	\$ 948.03	\$ 996.07

019

BLACK ANODIZE 100 - 1" TRIM

SIZE	CST 1	CST 2
3/0 x 7/0	\$ 899.67	\$ 947.40
4/0 x 7/0	\$ 914.68	\$ 962.41
5/0 x 7/0	\$ 929.69	\$ 977.42
6/0 x 7/0	\$ 944.70	\$ 992.43
3/0 x 8/0	\$ 929.69	\$ 977.42
4/0 x 8/0	\$ 944.70	\$ 992.43
5/0 x 8/0	\$ 959.71	\$ 992.43
6/0 x 8/0	\$ 974.72	\$ 1,022.45
3/0 x 9/0	\$ 959.87	\$ 1,009.16

020

BLACK ANODIZE 112 - 1-1/2" TRIM

SIZE	CST 1	CST 2
3/0 x 7/0	\$ 911.89	\$ 959.62
4/0 x 7/0	\$ 926.90	\$ 974.64
5/0 x 7/0	\$ 941.91	\$ 989.65
6/0 x 7/0	\$ 956.92	\$ 1,004.66
3/0 x 8/0	\$ 941.91	\$ 989.65
4/0 x 8/0	\$ 956.92	\$ 1,004.66
5/0 x 8/0	\$ 971.93	\$ 1,019.67
6/0 x 8/0	\$ 986.94	\$ 1,034.68
3/0 x 9/0	\$ 972.49	\$ 1,021.78

021

- CST 1 (Custom Wall Width) - 4-7/8" to 7-1/4" throat size
- CST 2 (Custom Wall Width) - 7-3/8" to 11-1/4" throat size
- Wide stop profile only
- No extended lip strike needed on flush trim
- For 2" trim add \$20.00 list price to the 1-1/2" trim price
- 6/0 - 8/0 max opening size, pairs; 3/0 - 9/0 max opening size, singles

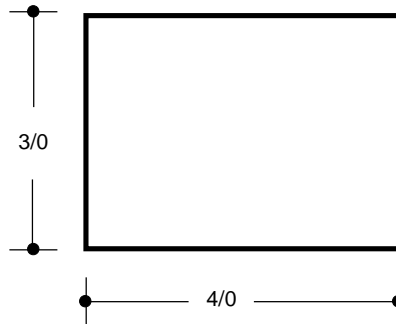


## 45 MINUTE BORROWED LITE FORMULA

Step 1: lineal ft. of R.O. x lineal ft. price (ROUND UP TO NEAREST FT. PER SIDE)

Step 2: add **\$125.00** for labor charge

Example: 4-7/8" - 5"



Step 1:  $4 + 4 + 3 + 3 = 14 \times 40.00 =$

**\$ 560.00**

Step 2: labor charge

**\$ 125.00**

LIST: **\$ 685.00**

WALL	TRIM	CLEAR ANODIZE	BRONZE ANODIZE
3-3/4"	1" TRIM	\$ 30 LF	\$ 36 LF
	1-1/2" TRIM	\$ 35 LF	\$ 41 LF
4-7/8" - 5"	1" TRIM	\$ 40 LF	\$ 47 LF
	1-1/2" TRIM	\$ 45 LF	\$ 53 LF
7-1/4"	1" TRIM	\$ 50 LF	\$ 59 LF
	1-1/2" TRIM	\$ 55 LF	\$ 65 LF

02

Rating	Max Assembly Size		Wall Sizes			Max Glass Area
	Width	Height				
45 Min.	36"	96"	3-3/4"	5"	7-1/4"	3456 Sq. In.

03

AVAILABLE IN CLEAR ANODIZE, AND BRONZE ANODIZE  
NO MULLIONS PERMITTED ON 45 MIN. BORROWED LITES

**ROUGH OPENING - ADD 1-1/2" FOR WIDTH & 1-1/2" FOR HEIGHT**

POCKET FRAMES

4-7/8" WALL	112 1-1/2" REVERSE MITER TRIM		200 2" TRIM	
	CLEAR ANODIZE	BRONZE ANODIZE	CLEAR ANODIZE	BRONZE ANODIZE
3/0 x 7/0	\$ 971.84	\$ 991.15	\$ 992.52	\$ 1,011.58
4/0 x 7/0	\$ 1,035.64	\$ 1,048.93	\$ 1,051.34	\$ 1,063.89

005

SEE REVERSE MITER TRIM DETAIL PICTURED ON PAGE 14

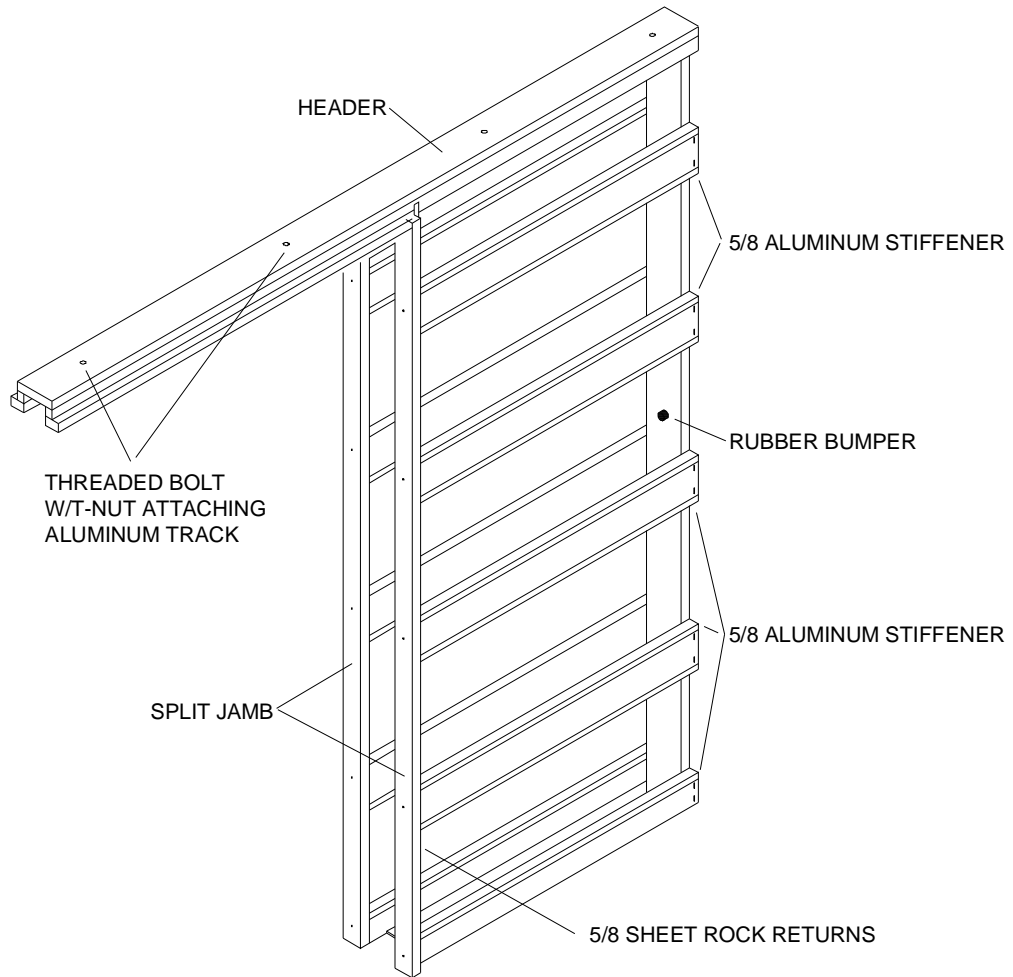
OPTIONS - NET PRICING

ADD TO 4-7/8"	CLEAR ANODIZE	BRONZE ANODIZE
UP TO 8/0 HEIGHT	\$ 25.00	\$ 35.00
ADDER FOR UPTO 7-1/4" WALL	\$ 20.00	\$ 27.00
ADDER FOR WALL SIZES 7-3/8" - 10"	CALL FOR QUOTE	CALL FOR QUOTE
BLACK ANODIZE	N/A	\$ 25.00

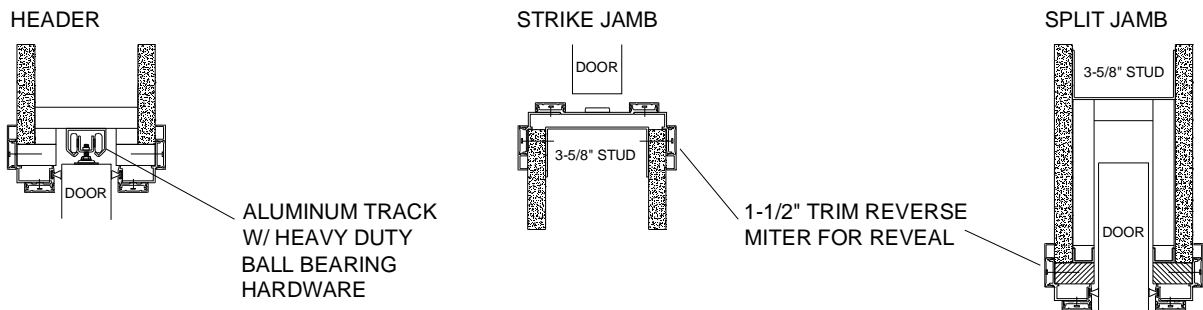
06

POCKET FRAME

ALUMINUM AND WOOD FRAME DETAIL



ALUMINUM POCKET FRAME DETAIL



Some internal components of pocket frame are constructed with wood

ALUMINUM DOORS



**LIST PRICE**

	7/0	8/0	9/0
3/0	\$ 1,138.00	\$ 1,251.00	\$ 1,332.00
4/0	\$ 1,285.00	\$ 1,413.00	\$ 1,508.00

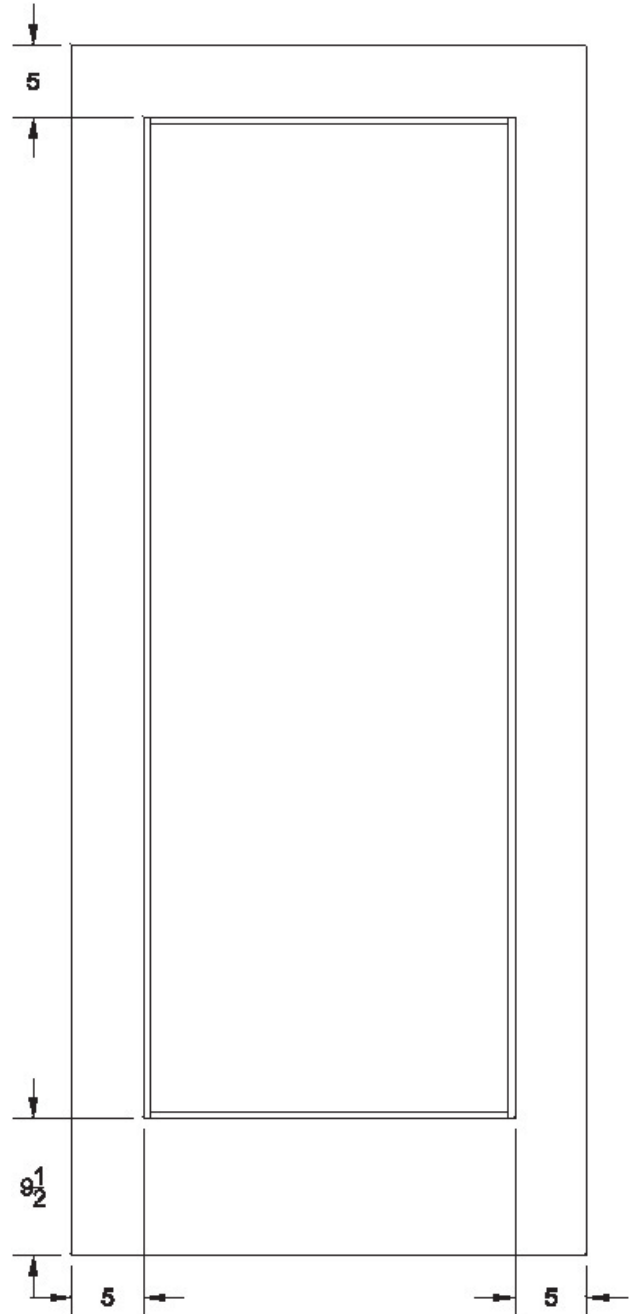
006

- Base price includes hinges preps, cylinder lock prep, 1/4" clear tempered glass
- Available with White Lami, Reed, Rain, and Obscure P516 glass (call for quote)
- Class II clear anodize

**NET ADDERS**

86 LOCK PREP	\$ 5.00
CONCEALED CLOSER	\$ 35.00
PIVOT HINGE PREP, PER HINGE	\$ 35.00
CYLINDER DEADBOLT	\$ 3.00

07



**NET ADDERS**

**HINGES AND/OR PIVOT PREPS**

4 1/2 Heavy Wgt (.180)	\$6.00 ea.	Hinge Prep
5" Heavy Wgt (.190)	\$15.00 ea.	HingePrep
Pivots (Top & Intermediate)	\$35.00 ea.	Pivot Prep
Electric Hinge Thru Wire Prep	\$2.50 ea.	Hole Prep
Electric Power Transfer	\$75.00 ea.	Transfer Prep

**STRIKE PREPS**

Electric Strike (1 1/4" x 4 7/8")	\$15.00 ea.	Elec Strike
Roller Latch Strike Prep	\$5.00 ea.	Roll Latch Strike
Deadbolt Prep	\$5.00 ea.	Deadbolt Prep
Full Lip Strike	\$5.00 ea.	Full Lip Strike

**FLUSHBOLT, CLOSER & HEAD PREPS**

"Reversible" Automatic or Manual FLushbolt Strike	Included	
Roller Latch Strike Prep ("T" Strike or ASA Only)	\$5.00	Roll Latch Strike
Concealed (Slide Track in Frame Head) Closers	\$35.00	Conc Closer
Concealed OH Holder & Stop Prep	\$25.00	Stop Prep

**REINFORCEMENTS**

Regular Arm Closer Reinforcement	\$1.50	Closer Reinf.
----------------------------------	--------	---------------

**20 MINUTE 'S' LABEL / UBC-97 POSITIVE PRESSURE**

Door Frame Label	\$3.00	Net Each Rated Frame
------------------	--------	----------------------

**ABS-AC "CONCEALED" INTUMESCENT PER FRAME NET ADD:**

Single Frames:		Pair Frames:	
Up to 7'0" Tall	\$ 20.00	Up to 7'0" Tall	\$ 25.00
Up to 8'0" Tall	\$ 21.00	Up to 8'0" Tall	\$ 26.00
Up to 9'0" Tall	\$ 22.00	Up to 9'0" Tall	\$ 27.00

Deduct \$13.00 per frame for cased opening prices

Available in: Clear	3-3/4", 4-7/8", 5", 5-1/4"
Bronze	3-3/4", 4-7/8"
Black	3-3/4", 4-7/8"

LINEAL FOOT MATERIAL

THE FOLLOWING IS AVAILABLE IN LINEAL FOOT PRICING

	3-3/4"	4-7/8" - 5"	5-1/4"	5-1/2"	7-1/4"
JAMB / HEADER SILL REGLET VERTICLE MULLION HORIZONTAL MULLION	CALL FOR QUOTE				

01

- Available in clear, bronze, and black anodize finishes

**ADDS**

LF PRICE 1/4" GLAZING BEAD	\$ 0.16
LF PRICE 3/8" GLAZING BEAD	\$ 0.16
LF PRICE 1/2" GLAZING BEAD	\$ 0.24
LF PRICE DOOR SEAL	\$ 0.16

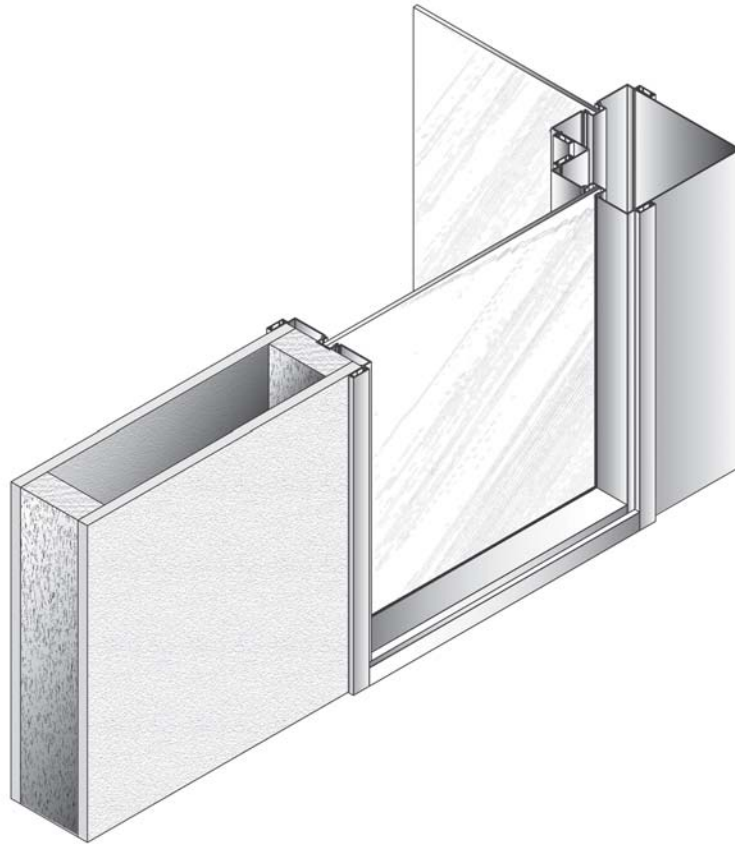
C30005 SILL CLIPS	\$ 1.35
C30002 / C30003 T CLIPS	\$ 2.03
C30007 QUICK FLAT CLIPS	\$ 1.35
C30006 FLAT CLIPS	\$ 1.35
C30001 CORNER CLIPS	\$ 1.35

03

	CLEAR	BRONZE	BLACK
100 TRIM	\$ 1.10	\$ 1.39	\$ 1.64
112 TRIM	\$ 1.47	\$ 1.73	\$ 1.81
200 TRIM	\$ 1.74	\$ 2.27	\$ 2.33

011

ALUMINUM 90° CORNER POSTS



- Available in clear anodize, bronze anodize, and black anodize
- Can accommodate wall size from 3-3/4" to 11-1/8"

contact your sales rep for details & pricing