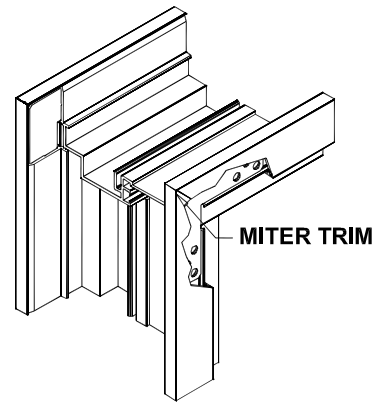
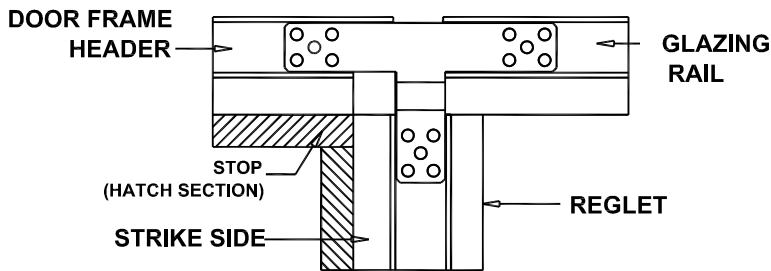


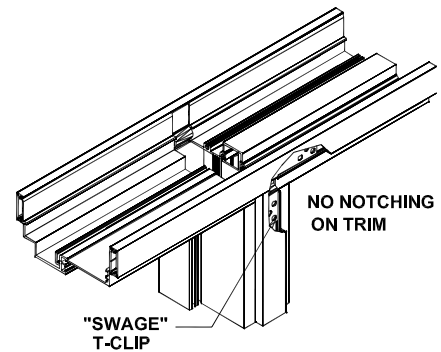
(PULL HEAD & JAMB TIGHT TO CLIP)



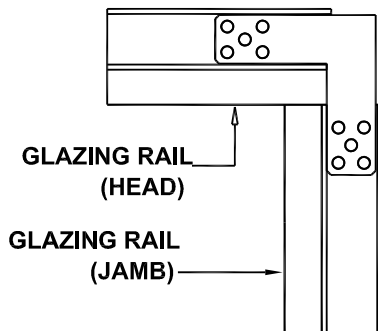
1
STANDARD INSTALLATION
 NOTCHED JAMBS. HEAD RESTS ON TOP OF JAMBS.



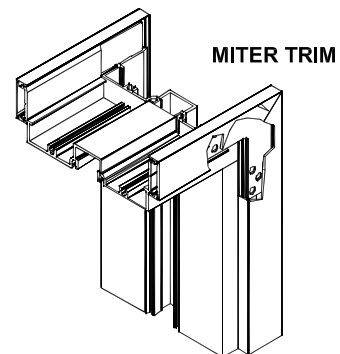
(PULL BOTH HEADS & STRIKE TIGHT TO CLIP)



2
STRIKE JAMB @ HEADER



(PULL HEAD & JAMB TIGHT TO CLIP)



3
TOP CORNER OF SIDELITE / BORROWED LITE

FRAME INSTALLATION DETAILS
STANDARD TRIM



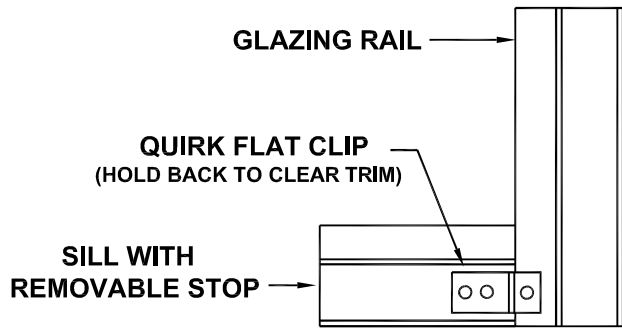
ABS - Architectural Components

8401 Rovana Cir. Sacramento CA. 95828

Toll Free Number: (866) 566-2161

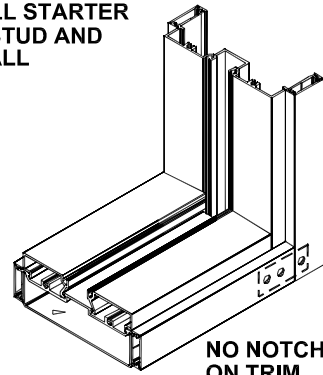
Phone Main: (916) 388-2161

Fax: (916) 388-9336



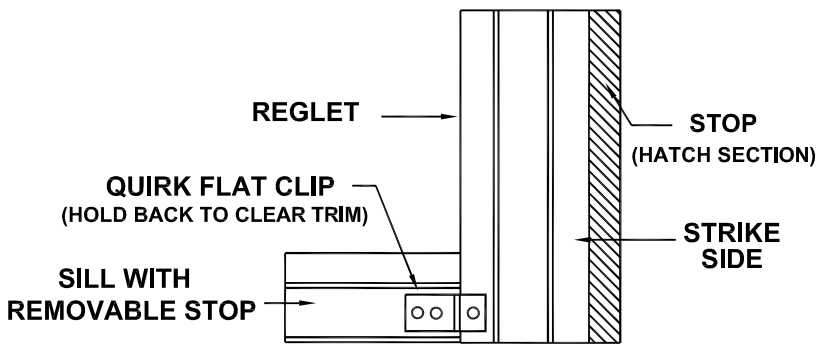
SILL @ SIDELITE / BORROWED LITE JAMB
SILL TO FLOOR WITH OR WITHOUT SILL STARTER

ABS-AC SILL STARTER
OR STEEL STUD AND
DRYWALL



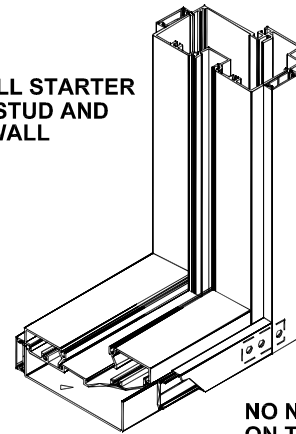
NO NOTCHING
ON TRIM

4



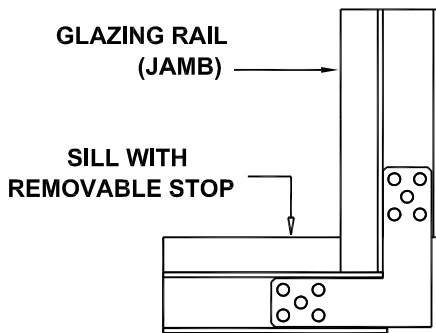
SILL @ STRIKE JAMB
SILL TO FLOOR WITH OR WITHOUT SILL STARTER

ABS-AC SILL STARTER
OR STEEL STUD AND
DRYWALL

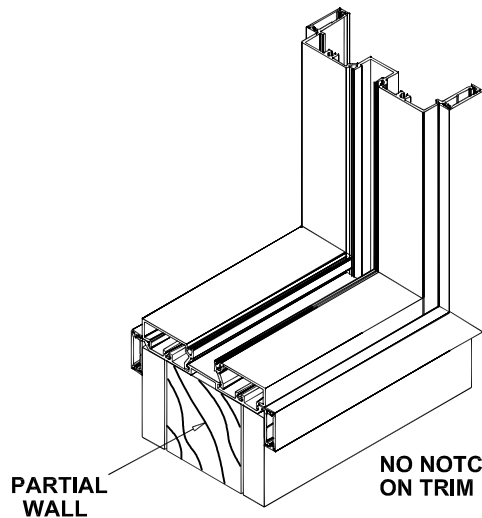


NO NOTCHING
ON TRIM

5



SILL @ SIDELITE / BORROWED LITE JAMB
SILL ON PARTITION WALL



NO NOTCHING
ON TRIM

6

**FRAME INSTALLATION DETAILS
STANDARD TRIM**

DOORMERICA

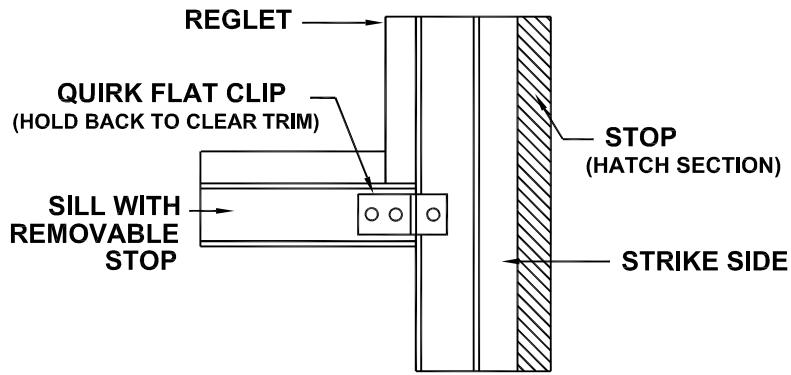
ABS - Architectural Components

8401 Rovana Cir. Sacramento CA. 95828

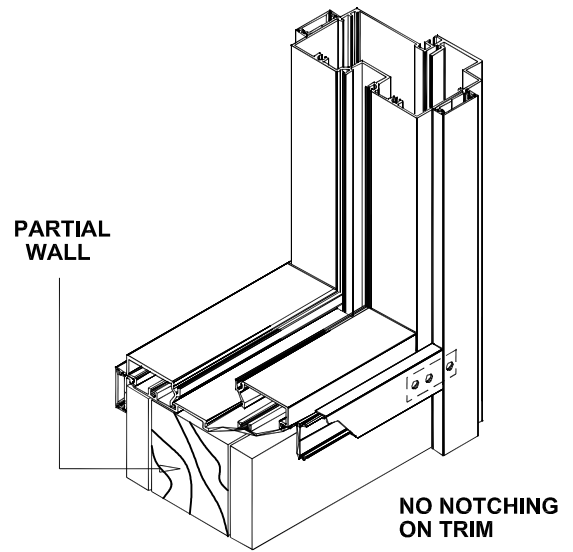
Toll Free Number: (866) 566-2161

Phone Main: (916) 388-2161

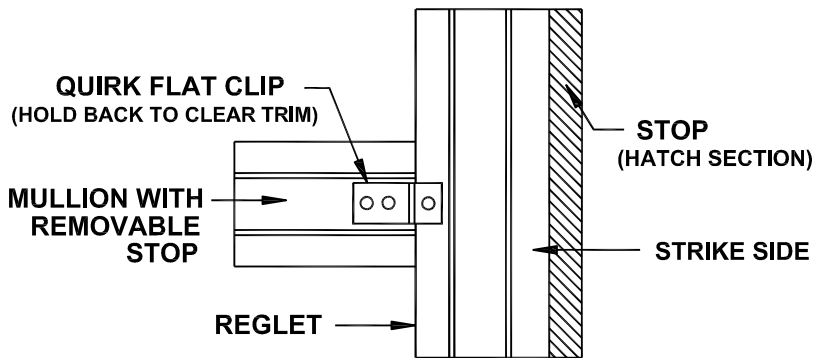
Fax: (916) 388-9336



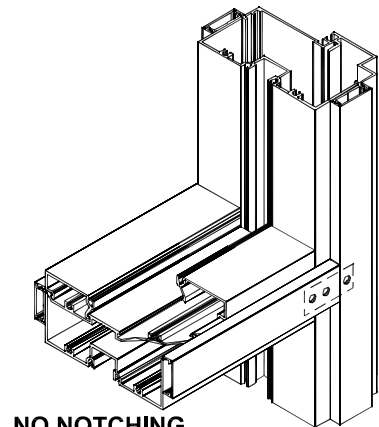
SILL @ STRIKE JAMB
SILL ON PARTIAL WALL



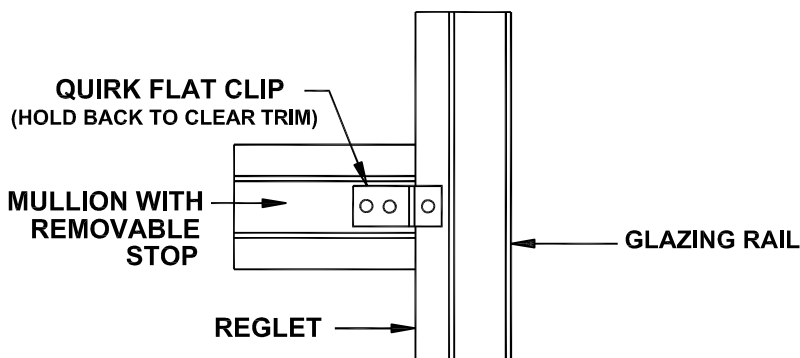
7



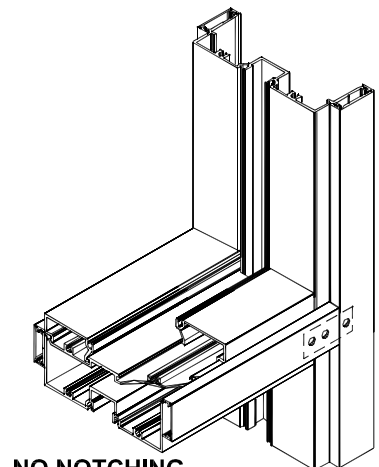
HORIZONTAL MULLION @ STRIKE MULLION



8

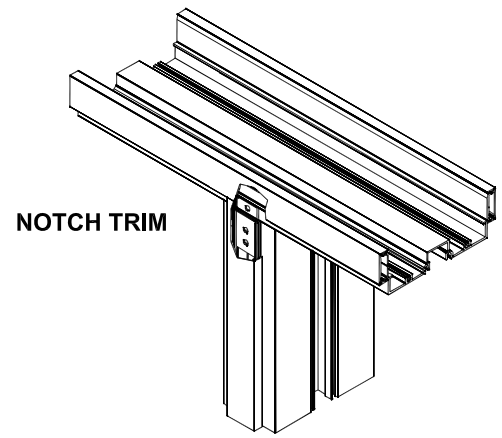
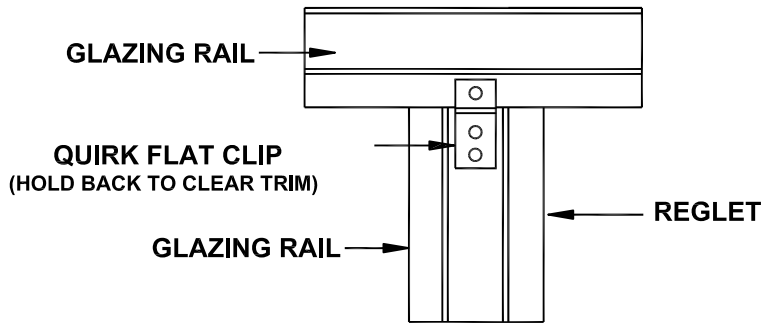


HORIZONTAL MULLION @ SIDELITE & BORROWED LITE



9

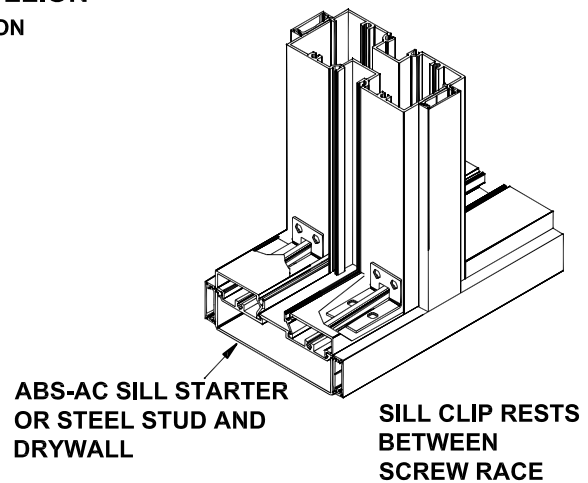
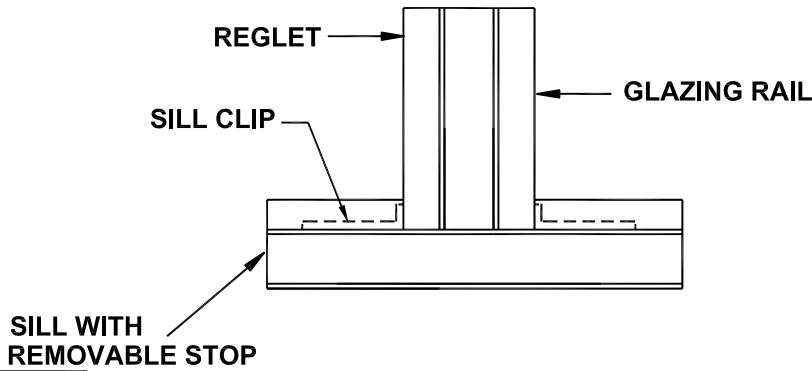
**FRAME INSTALLATION DETAILS
STANDARD TRIM**



VERTICAL MULLION @ SIDELITE/BORROWED LITE HEAD

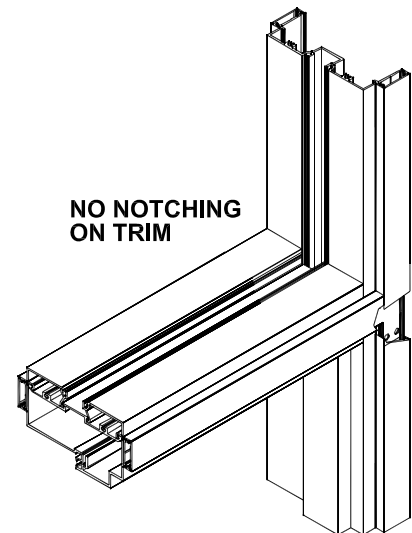
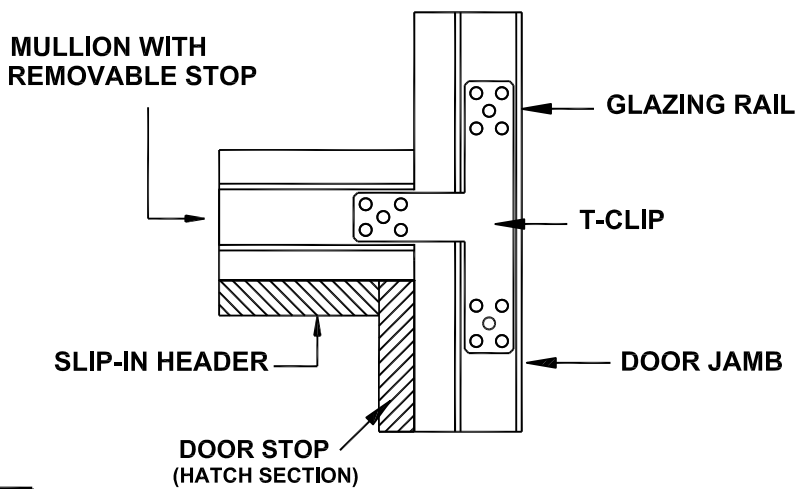
10

SILL @ VERTICAL MULLION
STANDARD INSTALLATION



11

TRANSOM @ HINGE OR STRIKE JAMB



12

FRAME INSTALLATION DETAILS
STANDARD TRIM



ABS - Architectural Components
8401 Rovana Cir. Sacramento CA. 95828
Toll Free Number: (866) 566-2161
Phone Main: (916) 388-2161
Fax: (916) 388-9336