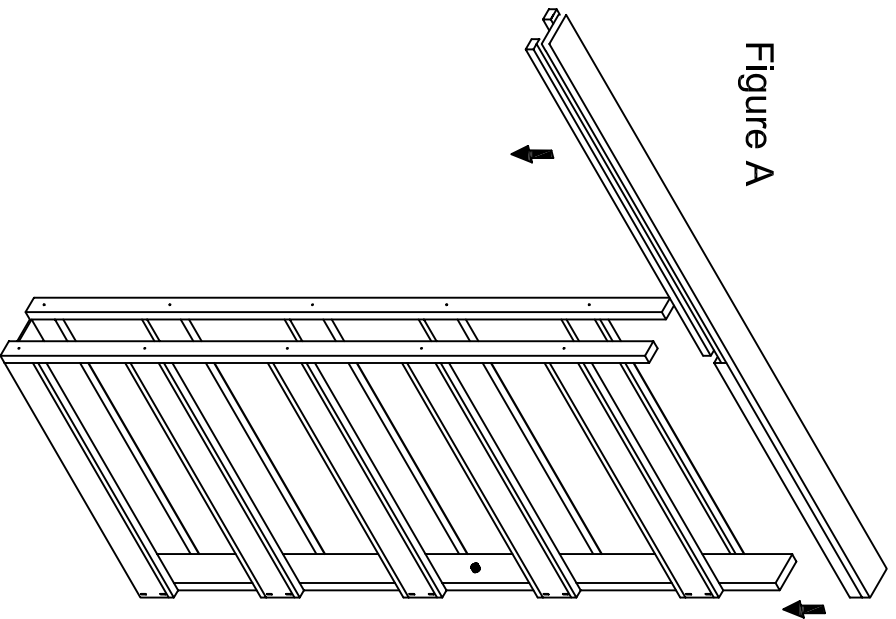


ALUMINUM POCKET FRAME INSTALLATION INSTRUCTIONS

Rough Opening = door width x 2 + 2" / door height + 2-7/8"

Figure A



1. Remove packaging, head and parts from inside the pocket frame. You should have (1) bumper jamb leg, trim and door hardware bag.
2. Check to make sure all parts are present and in good condition.
3. Install head to frame using 1-1/2" screws provided through pre-drilled holes. (Figure A)
4. Prepare rough opening. Make sure rough opening is square and pocket frame fits securely without warping or moving out of plumb. Attach frame and head to studs. Make certain door clearance with subfloor is adequate for intended finished floor.

5. Install drywall or facing material. When possible use a finished edge against aluminum trim for a tight fit.

6. Using provided instructions and hardware install your door into the pocket frame. Start with height adjustment set in the lowest position.

7. Attach aluminum bumper jamb to stud. Make sure it is plumb. Slight adjustments can be made with header trim by removing screws re-positioning and then re-tightening. If needed, add provided corner clips to help secure the corners. (Figure B)

8. Slide door out and make sure everything is fitting properly. Check that all aluminum trim parts line up. Slight adjustments may be needed. (Figure C)

9. Apply finished trim. Start with the inside 1" door trim. It is best to roll the trim onto the frame. Top first then jamb legs. Next apply trim to outside of the frame/wall. trim will be snug. a light weight mallet may be needed to secure trim to frame. Do not beat on the trim or frame with a hammer as this may damage the trim and frame. (Figure D)

Figure B

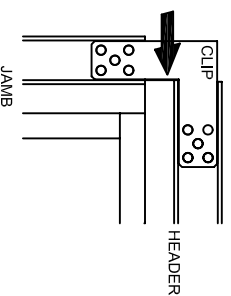


Figure C

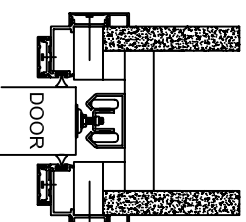
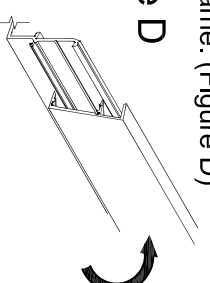


Figure D



1-1/2" TRIM REVERSE MITER FOR REVEAL