

FLUSH HOLLOW CORE



Specifications:	3 & 5 Ply construction. Meets or exceeds industry standards of WDMA I.S.1.
Lay Up Method	Loose
Maximum Sizes:	Width - 4/0. Length depends on face (See faces below for available length)
Thickness:	1-3/8" and 1-3/4" ONLY
Stiles:	MDF available on MDF type skins, Only 1-3/8" Thickness & 6/8 Length. Softwood available on all skin types 1-3/8" and 1-3/4" Thickness. Width = 1" Nominal, 13/16" Minimum after prefit size.
Rails:	1-3/8" Thickness = MDF, 1-5/8" Nominal, 1" Minimum after undercut 1-3/4" Thickness = MDF, 2-1/4" Nominal, 1" Minimum after undercut
Core:	Cellular Honeycomb with 5" Hexagonal cells.
Lock Blocks:	Double 3" x 20" Particleboard (28lb) as standard.
Faces:	Lauan (Okoume) - Raw, 2 ply, 8/0 Maximum. RN Birch - Raw, 2 ply, 1/64" Face veneer thickness, 8/0 Maximum. PS Red Oak - Raw, 2 ply, 1/64" face veneer thickness, 8/0 Maximum. MDF - Primed and Raw, Single Ply, 10/0 Maximum. Embossed MDF - Primed and Prefinished, Single Ply, 8/0 Maximum.
Adhesive:	Type-1 PVA, Interior installation only.
Machining:	To Specification
Lites:	To specification. Blocking only upon request.
Louvers:	To specification. Blocking only upon request.
Acoustical Rating:	N/A
Warranty:	Standard two year. See limited warranty for details. *No warranty for Telegraphing*
Description	(FP-1-3/8) = 1-3/8" Thick, MDF Stiles
Abbreviations:	(FJ-1-3/8) = 1-3/8" Thick, FJ Softwood Stiles (SWE-1-3/8) = 1-3/8" Thick, Clear Softwood Stiles (FJ-1-3/4) = 1-3/4" Thick, FJ Softwood Stiles (SWE-1-3/4) = 1-3/4" Thick, Clear Softwood Stiles
Recommended Use:	Residential and Light Commercial

01

MOLDED PANEL HOLLOW CORE



Specifications:	3 Ply construction. Meets or exceeds industry standards of WDMA I.S.1.
Lay Up Method	Loose
Maximum Sizes:	Width - 3/0 Length - 8/0 *Certain styles only*
Thickness:	1-3/8" and 1-3/4" ONLY
Stiles:	MDF on only 1-3/8" Thickness & 6/8 Length. FJ Softwood option on 1-3/8" and 1-3/4" Thickness, to 8/0 length. Width = 1" Nominal, 13/16" Minimum after prefit size.
Rails:	1-3/8" Thickness = MDF, 1-5/8" Nominal, 1" Minimum after undercut 1-3/4" Thickness = MDF, 2-1/4" Nominal, 1" Minimum after undercut 2" Nominal Bottom rail available on 1-3/8" Thickness (DBR)
Core:	Cellular Honeycomb build up pads.
Lock Blocks:	Double 3" x 10" Particleboard (28lb) as standard.
Faces:	Primed MDF Molded Panel, Single ply
Adhesive:	Type-1 PVA, Interior installation only.
Machining:	To Specification
Lites:	N/A
Louvers:	N/A
Acoustical Rating:	N/A
Warranty:	Standard two year. See limited warranty for details. *No warranty for Telegraphing*
Description	(FP-1-3/8) = 1-3/8" Thick, MDF Stiles
Abbreviations:	(FJ-1-3/8) = 1-3/8" Thick, FJ Softwood Stiles (FJ-1-3/4) = 1-3/4" Thick, FJ Softwood Stiles
Recommended Use:	Residential and Light Commercial

02

*See molded skin selection guide for all panel elevation designs.

BIFOLDING DOORS



Specifications:	Bifolding doors are available in the following door types. Hollow Core Flush, Hollow Core Molded Panel, Molded Panel Economy Particleboard Core, Flush Economy Particleboard Core, Flush Standard Particleboard Core
Maximum Sizes:	See Specific Door Type.
Thickness:	See Specific Door Type.
Stiles:	1" Wood
Rails:	1-5/8" Wood on 1-3/8" Thickness. 2-1/4" Wood on 1-3/4" Thickness.
Core:	See Specific Door Type.
Lock Blocks:	See Specific Door Type.
Faces:	See Specific Door Type.
Adhesive:	Type-1 PVA, Interior installation only.
Machining:	N/A
Lites:	N/A
Louvers:	N/A
Acoustical Rating:	N/A
Warranty:	Standard two year. See limited warranty for details. (See Specific Door Type)
Description	See Specific Door Type.
Abbreviations:	
Recommended Use:	Residential and Light Commercial
Hardware:	Hinges - Edge mount window hinge on Hollow Core 3-1/2" full mortise hinge on Solid Core Standard Duty Track & Hardware - Stanley #2900 Series. Heavy Duty Track & Hardware - Stanley #2700 Series.

03

* All bifolds are boxed with track and hardware. Non boxed (bulk packaging) available on request.

MOLDED PANEL "ECONOMY" PARTICLEBOARD CORE



Specifications:	3 Ply construction. Meets or exceeds industry standards of WDMA I.S.1.
Lay Up Method:	Loose
Maximum Sizes:	Width - 3/0 Length - 8/0 *Certain styles only*
Thickness:	1-3/8" and 1-3/4" ONLY
Stiles:	FJ Softwood Width = 1" Nominal, 13/16" Minimum after prefit size.
Rails:	1-3/8" Thickness = MDF, 1-5/8" Nominal, 1" Minimum after undercut 1-3/4" Thickness = MDF, 2-1/4" Nominal, 1" Minimum after undercut
Core:	28-30lb Particleboard, ANSI A208.1 Grade LD-1, Profiled
Fire Rating:	1-3/4" Thickness 20 Minute Rated**
Faces:	Primed MDF Molded Panel, Single ply
Adhesive:	Type-1 PVA, Interior installation only.
Machining:	To Specification
Lites:	N/A
Louvers:	N/A
Acoustical Rating:	33 STC Inoperable
Warranty:	Standard two year. See limited warranty for details.
Description Abbreviations:	E-1-3/8 = 1-3/8" Thick PBC Molded Panel E-20NL = 1-3/4" Thick PBC Molded Panel (Non-rated) E-20NP = 1-3/4" Thick PBC Molded Panel, 20 Minute Neutral Pressure E-20B = 1-3/4" Thick PBC Molded Panel, 20 Minute Category B E-20A = 1-3/4" Thick PBC Molded Panel, 20 Minute Category A
Recommended Use:	Residential and Light Commercial

04

* See molded skin selection guide for all panel elevation designs.

**See fire door specifications section in catalogue for details on sizes, hardware and construction limitations.

FLUSH "ECONOMY" PARTICLEBOARD CORE



Specifications:	3 & 5 Ply construction. Meets or exceeds industry standards of WDMA I.S.1; All 20 Minute doors have been tested in conformance to the following standards. ASTM-E-152,CSFM-43.7,CAN4-S104,NFPA-252, UBC-7-2-97, UL-10C
Lay Up Method	Loose
Maximum Sizes:	Width - 4/0 Length - Depends on faces (See faces below for available length)
Thickness:	1-3/8" and 1-3/4" ONLY
Stiles:	Softwood (Fir, Pine, Spruce, SCL) Mill option Width = 1" Nominal, 13/16" Minimum after prefit size.
Rails:	1-3/8" Thickness = MDF, 1-5/8" Nominal, 1" Minimum after undercut 1-3/4" Thickness = MDF, 2-1/4" Nominal, 1" Minimum after undercut
Core:	28-30lb Particleboard, ANSI A208.1 Grade LD-1
Fire Rating:	1-3/4" Thickness 20 Minute Rated*
Faces:	Raw only Lauan (Okuome) 2 Ply, 8/0 Max length. Raw only RN Birch 2 Ply, MDF Back, 1/64" Face Veneer, 8/0 Max length Raw only PS Red Oak 2 Ply, MDF Back, 1/64" Face Veneer, 8/0 Max length Raw MDF Single Ply, 10/0 Max length Primed MDF Single Ply, 10/0 Max length Embossed Primed MDF Single Ply, 8/0 Max length Embossed Prefinished MDF (Legacy) Single Ply, 8/0 Max length
Adhesive:	Type-1 PVA, Interior installation only.
Machining:	To Specification
Lites:	To Specification
Louvers:	To Specification
Acoustical Rating:	33 STC Operable (With Pemko S773,151, ADB 434APKL, S44)
Warranty:	Standard Two year. See limited warranty for details.
Description	E-1-3/8 = 1-3/8" Thick PBC
Abbreviations:	E-20NL = 1-3/4" Thick PBC, Non Rated E-20NP = 1-3/4" Thick PBC, 20 Minute Neutral Pressure E-20B = 1-3/4" Thick PBC, 20 Minute Category B E-20A = 1-3/4" Thick PBC, 20 Minute Category A
Recommended Use:	Residential and Light Commercial

05

*See fire door specifications section in catalogue for details on sizes, hardware and construction limitations.

FLUSH "STANDARD" PARTICLEBOARD CORE



Specifications:	3, 5 Ply construction. Meets or exceeds industry standards of WDMA I.S.1; All 20 Minute doors have been tested in conformance to the following standards. ASTM-E-152,CSFM-43.7,CAN4-S104,NFPA-252, UBC-7-2-97, UL-10C
Lay Up Method	Loose
Maximum Sizes:	Width - 4/0 Length - Depends on faces (See faces below for available length)
Thickness:	1-3/8" and 1-3/4" ONLY
Stiles:	Paint Grade = FJ Hardwood, Raw Stain Grade = Matching Hardwood Prefinished = Matching Hardwood P-lam = SCL with matching edge banding over CAT-A = Special CAT-A Stile with matching edge banding over Width = 1" Nominal, 13/16" Minimum after prefit size.
Rails:	1-3/8" Thickness = MDF, 1-5/8" Nominal, 1" Minimum after undercut 1-3/4" Thickness = MDF, 2-1/4" Nominal, 1" Minimum after undercut
Core:	28-30lb Particleboard, ANSI A208.1 Grade LD-1
Fire Rating:	1-3/4" Thickness 20 Minute Rated*
Faces:	RN Birch 2 Ply, MDF Back, 1/64" Face Veneer, 8/0 Max length PS Red Oak 2 Ply, MDF Back, 1/64" Face Veneer, 8/0 Max length Raw MDF Single Ply, 10/0 Max length Primed MDF Single Ply, 10/0 Max length Primed MDO 2 Ply HDF Back, 10/0 Max length Select Species Raw & Prefinished 2 Ply, 1/42" Face, 10/0 Max length Plastic Laminate 2 Ply, 1/50" Face, 10/0 Max length. All laminates meet or exceeds NEMA standards.
Adhesive:	Type-1 PVA, Interior installation only.
Machining:	To Specification
Lites:	To Specification
Louvers:	To Specification
Acoustical Rating:	33 STC Operable (With Pemko S773,151,ADB 434APKL,S44)
Warranty:	Standard two year. See limited warranty for details.
Description	S-1-3/8 = Standard 1-3/8" Thick PBC
Abbreviations:	S-20NL = Standard 1-3/4" Thick PBC, Non Rated S-20NP = Standard 1-3/4" Thick PBC, 20 Minute Neutral Pressure S-20B = Standard 1-3/4" Thick PBC, 20 Minute Category B S-20A = Standard 1-3/4" Thick PBC, 20 Minute Category A
Recommended Use:	Residential and Light Commercial

06

*See fire door specifications section in catalogue for details on sizes, hardware and construction limitations.

FLUSH "HEAVY DUTY" PARTICLEBOARD CORE



Specifications:	5 Ply construction. Meets or exceeds industry standards of WDMA I.S.1-A, WI Section 12, AWI Section 1300 Custom Grade (A Grade Faces), AWI Section 1300 Premium Grade (AA Grade Faces). All 20 Minute doors have been tested in conformance to the following standards. ASTM-E-152, CSFM-43.7, CAN4-S104, NFPA-252, UBC-7-2-97, UL-10C
Lay Up Method	Bonded and Sand
Maximum Sizes:	Width - 4/0 Length - Depends on faces (See faces below for available length)
Thickness:	1-3/8" and 1-3/4" ONLY
Stiles:	Paint Grade = FJ Hardwood, Raw Stain Grade = Matching Hardwood Prefinished = Matching Hardwood P-lam = SCL with matching edge banding over CAT-A = Special CAT-A Stile with matching edge banding over Width = 1-3/8" Minimum
Rails:	1-3/8" Thickness = Wood or SCL 1-1/8" Minimum 1-3/4" Thickness = Wood or SCL 1-1/8" Minimum
Core:	34lb Particleboard, ANSI A208.1 Grade LD-2
Fire Rating:	1-3/4" Thickness 20 Minute Rated*
Faces:	Primed MDO 2 Ply HDF Back, 10/0 Max length Select Species Raw & Prefinished 2 Ply, 1/42" Face, 10/0 Max length Plastic Laminate 2 Ply, 1/50" Face, 10/0 Max length. All laminates meet or exceed NEMA standards.
Adhesive:	Type-1 PVA, Interior installation only.
Machining:	To Specification
Lites:	To Specification
Louvers:	To Specification
Acoustical Rating:	33 STC Operable (With Pemko S773,151,ADB 434APKL,S44)
Warranty:	Lifetime. See limited warranty for details.
Description	HD-1-3/8 = Heavy Duty 1-3/8" Thick PBC
Abbreviations:	HD-20NL = Heavy Duty 1-3/4" Thick PBC, Non Rated HD-20NP = Heavy Duty 1-3/4" Thick PBC, 20 Minute Neutral Pressure HD-20B = Heavy Duty 1-3/4" Thick PBC, 20 Minute Category B HD-20A = Heavy Duty 1-3/4" Thick PBC, 20 Minute Category A
Recommended Use:	Architectural

07

*See fire door specifications section in catalogue for details on sizes, hardware and construction limitations.

**FLUSH "EXTRA HEAVY DUTY"
STRUCTURAL COMPOSITE CORE**



Specifications:	5 Ply construction. Meets or exceeds industry standards of WDMA I.S.1-A, WI Section 12, AWI Section 1300 Custom Grade(A Grade faces), AWI Section 1300 Premium Grade (AA Grade Faces). All 20 and 45 Minute doors have been tested in conformance to the following standards. ASTM-E-152 CSFM-43.7, CAN4-S104, NFPA-252:UBC-7-2-97, UL-10C
Lay Up Method	Bond and Sand
Maximum Sizes:	Width - 4/0 Length - Depends on faces (See faces below for available length)
Thickness:	1-3/8" and 1-3/4" ONLY
Stiles:	Paint Grade = FJ Hardwood, Raw Stain Grade = Matching Hardwood Prefinished = Matching Hardwood P-lam = SCL with matching edge banding over CAT-A = Special CAT-A Stile with matching edge banding over Width = 1-3/8" Minimum
Rails:	1-3/8" Thickness = Wood or SCL 1-1/8" Minimum 1-3/4" Thickness = Wood or SCL 1-1/8" Minimum
Core:	Structural Composite Lumber (Engineered), Grade LD-2
Fire Rating:	1-3/4" Thickness 20 Minute Rated*; 1-3/4" Single Swing 45 Minute rated**
Faces:	Primed MDO 2 Ply HDF Back, 10/0 Max length Select Species Raw & Prefinished 2 Ply, 1/42" Face, 10/0 Max length Plastic Laminate 2 Ply, 1/50" Face, 10/0 Max length. All laminates meet or exceed NEMA standards.
Adhesive:	Type-1 PVA, Interior installation only.
Machining:	To Specification
Lites:	To Specification
Louvers:	To Specification
Acoustical Rating:	33 STC Operable (With Pemko S773,151,ABD 434APKL,S44)
Warranty:	Lifetime. See limited warranty for details.
Description	EHD-1-3/8 = Extra Heavy Duty 1-3/8" Thick SCL
Abbreviations:	EHD-20NL = Extra Heavy Duty 1-3/4" Thick SCL, Non Rated EHD-20NP = Extra Heavy Duty 1-3/4" Thick SCL, 20 Minute Neutral Pressure EHD-20B = Extra Heavy Duty 1-3/4" Thick SCL, 20 Minute Category B EHD-20A = Extra Heavy Duty 1-3/4" Thick SCL, 20 Minute Category A EHD-45NP = Extra Heavy Duty 1-3/4" Thick SCL, 45 Minute Neutral Pressure ** EHD-45B = Extra Heavy Duty 1-3/4" Thick SCL, 45 Minute Category B ** EHD-45A = Extra Heavy Duty 1-3/4" Thick SCL, 45 Minute Category A **
Recommended Use:	Architectural, Institutional

08

*See fire door specifications section in catalogue for details on sizes, hardware and construction limitations.

** Single Swing only on 45 Minute Fire Rated; Max size 4/0 8/0

FLUSH "SOUND RETARDANT DOOR"



Specifications:	3 & 5 Ply construction. Meets or exceeds industry standards of WDMA I.S.1-A, WI Section 12, AWI Section 1300 Custom Grade(A Grade faces), AWI Section 1300 Premium Grade (AA Grade Faces).
Lay Up Method	Bond and Sand
Maximum Sizes:	Width - 4/0 Length - 8/0
Thickness:	1-3/4" ONLY
Stiles:	Paint Grade = FJ Hardwood, Raw Stain Grade = Matching Hardwood Prefinished = SCL with matching edge banding over P-lam = SCL with matching edge banding over Width = 1-3/8" Minimum
Rails:	1-3/4" Thickness = Wood, SCL 1-1/8" Minimum
Core:	STC 42: RIGICOREGP
Core:	STC 45: RIGICOREEX
Fire Rating:	N/A
Faces:	Primed MDO 2 Ply HDF Back, Select Species Raw & Prefinished 2 Ply, 1/42" Face, Plastic Laminate 2 Ply, 1/50" Face, . All laminates meet or exceed NEMA standards.
Adhesive:	Type-1 PVA, Interior installation only.
Machining:	To Specification
Lites:	STC 39 Max Lite kit 22x36 - See below for kit and glass details
Louvers:	N/A
Acoustical Rating:	39 STC Operable (With Seals and Lite Kit Listed Below) 42 STC Operable (With Zero Components Listed Below) 45 STC Operable (With Zero Components Listed Below)
Warranty:	Lifetime. See limited warranty for details.
STC Opening Components	STC 39: Includes Pemko S773, 151 Threshold; ADB 434APKL Door Bottom; S44 Door Seal; LoPro BB1; 1" Laminated IGU STC 42: Includes Zero International 475 Gasket; 119WB Cushion Spring; 566A threshold. STC 45: Includes Zero International 475 Gasket; 119WB Cushion Spring; 566A threshold.
Recommended Use:	Architectural, Institutional

13

*See fire door specifications section in catalogue for details on sizes, hardware and construction limitations.

FLUSH MINERAL CORE 45-60-90 MINUTE RATED



Specifications:	3, 5 Ply construction. Meets or exceeds industry standards of WDMA I.S.1-A, WI Section 12, AWI Section 1300. Testing Standards ASTM-E-152, CSFM 43.7 CAN4-S104, NFPA-252, UBC-7-2-97, UL10C
Lay Up Method	Bond and Sand
Maximum Sizes:	Width - 4/0 Length - Depends on faces (See faces below for available length)
Thickness:	1-3/4" Only
Stiles:	Laminated Composite to wood (Georgia Pacific), Specific to rating* Edge banding veneer or plastic when matching edges required
Rails:	Laminated Composite to wood (Georgia Pacific), Specific to rating* Width = 1" Minimum
Core:	Gypsum Mineral
Fire Rating:	45-60-90 Minute Rated*
Light Commercial	Faces: RN Birch 2 Ply, MDF Back, 1/64" Face Veneer, 8/0 Max length. PS Red Oak 2 Ply, MDF Back, 1/64" Face Veneer, 8/0 Max length. Raw MDF Single Ply, 10/0 Max length Primed MDF Single Ply, 10/0 Max length Embossed Primed MDF Single Ply, 8/0 Max length Embossed Prefinished MDF (Legacy) Single Ply, 8/0 Max length
Architectural	Faces: Primed MDO 2 Ply HDF Back, 10/0 Max length Select Species Raw & Prefinished 2 Ply, 1/42" Face, 10/0 Max length Plastic Laminate 2 Ply, 1/50" Face, 10/0 Max length. All laminates meet or exceed NEMA standards.
Adhesive:	Type-1 PVA, Interior installation only.
Machining:	To Specification
Lites:	To Specification
Louvers:	To Specification
Temp Rise:	30 Minutes 250 Degrees maximum.
Acoustical Rating:	30 STC Operable (With seal / Pemko S773)
Warranty:	Lifetime. See limited warranty for details.
Description Abbreviations:	MC-45NP = Mineral Core 45 Minute, Neutral Pressure MC-45B = Mineral Core 45 Minute, Category B MC-45A = Mineral Core 45 Minute, Category A MC-60NP = Mineral Core 60 Minute, Neutral Pressure MC-60B = Mineral Core 60 Minute, Category B MC-60A = Mineral Core 60 Minute, Category A MC-90NP = Mineral Core 90 Minute, Neutral Pressure MC-90B = Mineral Core 90 Minute, Category B MC-90A = Mineral Core 90 Minute, Category A
Recommended Use:	Architectural, Light Commercial

09

*See fire door specifications section in catalogue for details on sizes, hardware and construction limitations.

MOLDED PANEL MINERAL CORE 45-60 MINUTE RATED

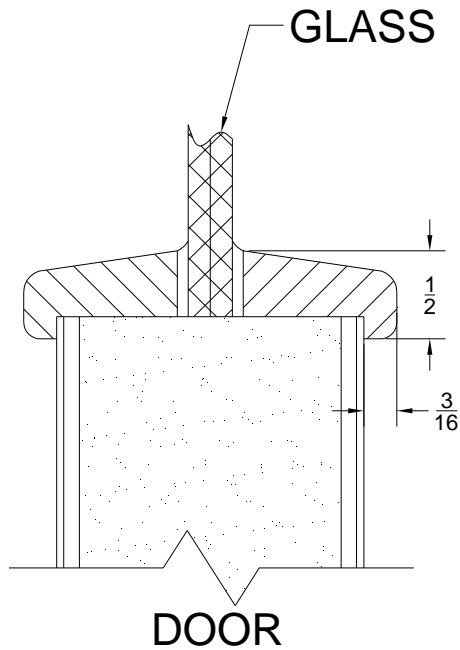


Specifications:	3 Ply construction. Meets or exceeds industry standards of WDMA I.S.1 Testing Standards ASTM-E-152, CSFM 43.7, CAN4-S104, NFPA-252, UBC-7-2-97, UL10C
Lay Up Method	Bond and Sand
Maximum Sizes:	Width - 3/0 Length - 7/0
Thickness:	1-3/4" ONLY
Stiles:	Laminated Composite to wood (Georgia Pacific), Specific to rating*
Rails:	Laminated Composite to wood (Georgia Pacific), Specific to rating* Width = 1" Minimum
Core:	Gypsum Mineral
Fire Rating:	45-60 Minute Rated*
Faces:	Primed Molded Panel Single Ply
Adhesive:	Type-1 PVA, Interior installation only.
Machining:	To Specification
Lites:	N/A
Louvers:	N/A
Temp Rise:	30 Minutes 250 Degrees maximum.
Acoustical Rating:	20 STC Operable (No Seal) 29 STC Operable (With seal / Pemko S773)
Warranty:	Standard Two year. See limited warranty for details.
Description	MC-45NP = Mineral Core 45 Minute, Neutral Pressure
Abbreviations:	MC-45B = Mineral Core 45 Minute, Category B MC-45A = Mineral Core 45 Minute, Category A MC-60NP = Mineral Core 60 Minute, Neutral Pressure MC-60B = Mineral Core 60 Minute, Category B MC-60A = Mineral Core 60 Minute, Category A
Recommended Use:	Light Commercial

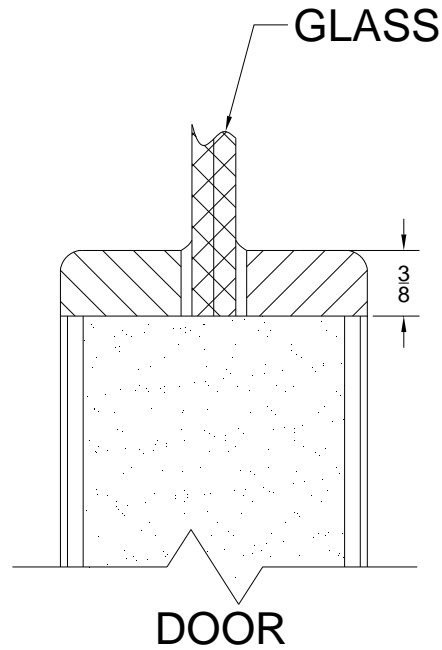
10

*See fire door specifications section in catalogue for details on sizes, hardware and construction limitations.

WOOD VISION LITE KITS
NON RATED AND 20 MINUTE



FULL LIP BEAD W-7

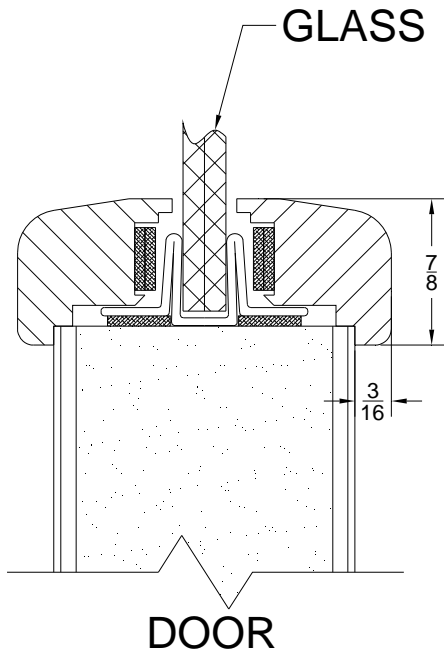


FLUSH BEAD W-9

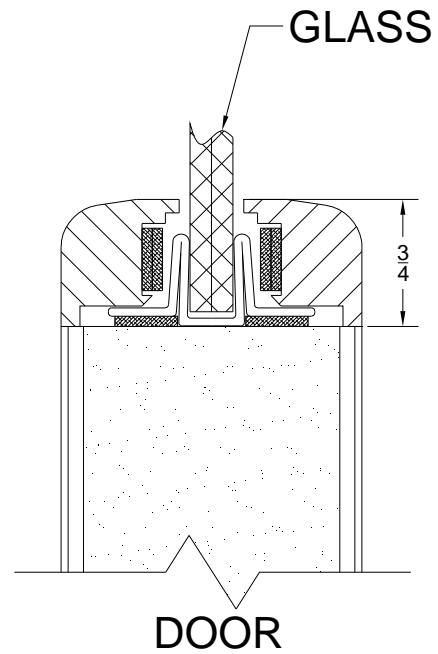
PRODUCT FEATURES:

Use	For use with 20 Min. Fire Doors and non rated doors.
Species Available	Ash, Birch, Cherry, Mahogany, Maple, Red Oak, Walnut and White Oak.
Sizes	Various sizes available in full-inch increments up to maximum area / size listed below.
Listed	ITS-WH Listed.
Glass size	Glass should be cut 1/8" less in length and width than wood beaded lite size ordered.
Maximum Cutout	1296 sq. inches. Maximums: 30" width, 54" height for 20 minute rated.
Maximum Visible Glass Size	1238 sq. inches for 20 minute rated.
Parts List	(1) one instructionsheet. (8) eight prefit wood beads with nails pre-fitted into the lite opening. (1) one tube of silicone caulk or glazing tape. (EPDM or Norton V990) supplied with glass by glazers. (1) one piece of 1/4" fire rated glass per NFPA 80 labeled for Fire Protection Rating. Supplied by glazers. Note: Glass should be cut 1/8" less in length and width than the lite opening size and measure 1/4" in thickness.

WOOD VISION LITE KITS
45 - 60 - 90 MINUTE



FULL LIP BEAD RATED



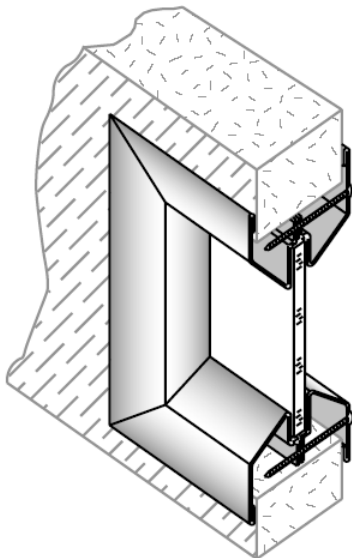
FLUSH BEAD RATED

PRODUCT FEATURES:

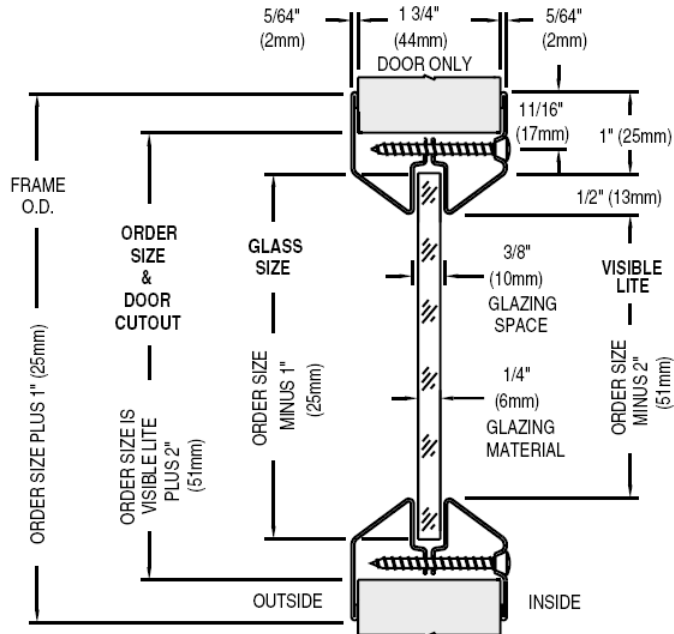
Use	For use with 45, 60, AND 90 Min. rated doors.
Species Available	Maple, White Oak, Red Oak, Cherry, Mahogany, and Walnut.
Sizes	Maximum exposed dimension. 45 min = 1296 sq. inches 60/90 min = 100 sq. inches
Listed	ITS-WH Listed.
Glass size	Glass should be cut 1/8" less in length and width than wood vision kit ordered.

METAL VISION LITE KITS

DETAIL DRAWING



PLEASE NOTE: On visible lite sizes larger than 1296 sq. in. on 20/45 min. and 100 sq. in. on 60/90/180 min., please consult with your Door / Frame Manufacturer's procedures, for their maximum glass size tested.



Anemostat manufacturing dimensions ±1/32
Actual dimensions are nominal and may vary based on component manufacturers tolerances.

STANDARD PRODUCT FEATURES

- **MATERIAL:** 20 GA. Cold Rolled Steel.
- **FINISH:** Grey Primer, Beige or Bronze Baked Enamel.
- **INSTALLATION:** Our most popular product is easy to install and provides a low profile, flush to the door look. Uses 1 3/4" sheet metal screws that pass through the door cutout, and fastens to the opposite side of the vision frame, thus eliminating the need to drill the door for thru bolts and saving installation time and labor. It also leaves the corridor side of the frame free of fasteners for added security and a cleaner, more aesthetic appearance.
- **DOOR THICKNESS:** For 1 3/4" Wood or Metal Doors.
- **GLAZING:** Should be 1/4", 3/16" or 5/16" fire and/or safety rated with U.L. and/or W.H.I. classification markings. Nominal glazing space of 3/8" allows for glazing tape to be used on both sides of the glass.
- **AESTHETICS:** Tight mitered corners, beveled glass stop and low profile, provide a clean tapered look.
- **IMPORTANT:** Interpretation of building and fire codes may vary. Consult with the local authority having jurisdiction in your area, to determine appropriate standards.
- **NOTE:** For Exterior use, High Humidity or Salt Air application, product must be Galvanized or Stainless Steel.

OPTIONAL FEATURES

- **MATERIAL:** #304 or #316 Stainless Steel, #4 Finish(Satin), Galvanized(Coil, Hot Dipped, or Electro Plated) Mill Finish Aluminum-(Not Fire Rated).
- **FINISH:** Custom Baked Enamel Colors (as per sample chip supplied). Plated Finishes to match the lock, hinges and closer.
- **FASTENERS:** Special Security Screw Fasteners, See Page 31, this section.
- **SPECIALS:** Fractional Sizes, Lead Lined for X-ray applications. For Special Glass or Door thickness (see FGS-IS or LoPro™-IS). For mullions see (LoPro™-G, FGS-75-G or BFL-123-G.)
- **HM CLIP:** Replaces the need for reinforcing channel in the door cutout, see page 32 this section.

FIRE RATINGS (w/ U.L. & W.H.I. classification markings) Positive Pressure

- **20 MINUTE:*** Approved listing at 3204 sq.in. visible lite (max. width 36", max. height 89").
- **45/60 MINUTE:*** Approved listing at 2772 sq.in. visible lite (max. width 36", max. height 77").
- **90 MINUTE:*** Approved listing at 1296 sq.in. visible lite (max. width 36", max. height 54").
- **3 Hour:*** Approved listing at 100 sq.in. visible lite (max. width 12", max. height 33")

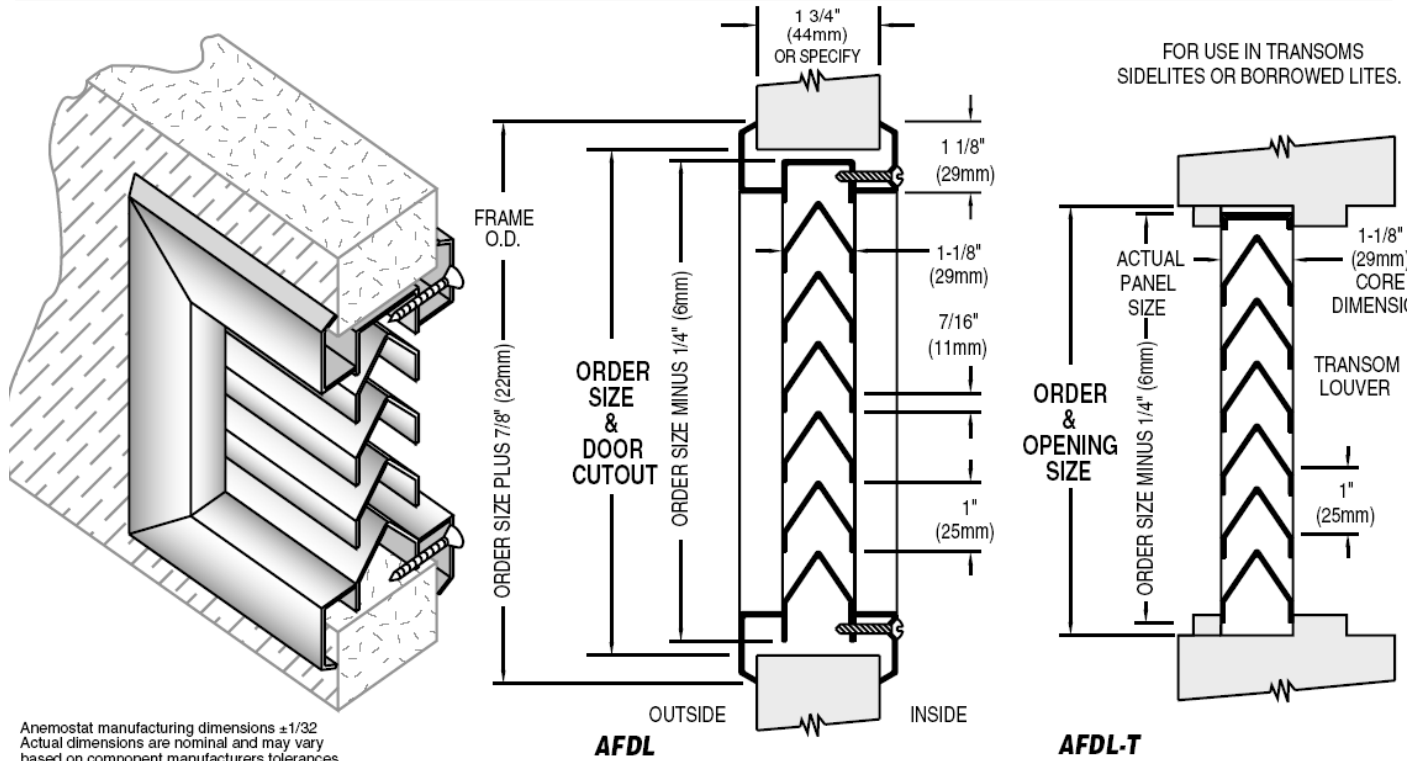
* Must be used with FIRELITE Plus or NT and Fire listed glazing tape and be used in appropriately tested door assembly.

BS 476.22 British Standard
Timber Doors - 30 min. and 1 hour. Tested to 254mm x 762mm
Steel Doors - 2 hours (4 hours actual). Tested to 813mm x 813mm

EN-1634 European Std.
30/60 min. integrity and insulation - Indicative Testing

METAL LOUVER KITS

DETAIL DRAWING



Anemostat manufacturing dimensions $\pm 1/32$
Actual dimensions are nominal and may vary
based on component manufacturers tolerances.

STANDARD PRODUCT FEATURES

- **MATERIAL:** 18 GA. Cold Rolled Steel - Frame.
22 GA. Cold Rolled Steel - Louver Blades.
- **FINISH:** Grey Primer, Beige or Bronze Baked Enamel.
- **INSTALLATION:** Our top selling louver is preferred because of its ease of installation. Use #8x1" phillips screw that fastens auxiliary frame to the louver core, thru the cutout in the door, thus eliminating the need to drill holes in the door for thru bolts. This method saves time and installation labor and leaves the corridor side of the frame free of fasteners for added security, and a cleaner aesthetic appearance.
- **DOOR THICKNESS:** For 1 3/4" Door (1 3/8", 2" and 2 1/8" are available. Louver core may be offset).
- **AESTHETICS:** Tight mitered corners, no visible welds, countersunk mounting holes and corridor side of frame free of fasteners make for a clean, streamlined appearance
- **USES:** Anywhere air flow is required thru a door.
- **FREE AIR FLOW:** 50% Free Area.

OPTIONAL FEATURES

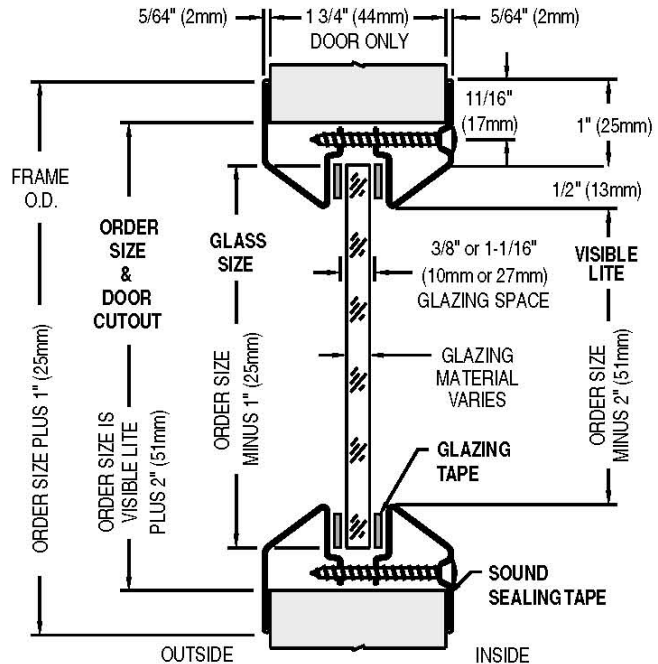
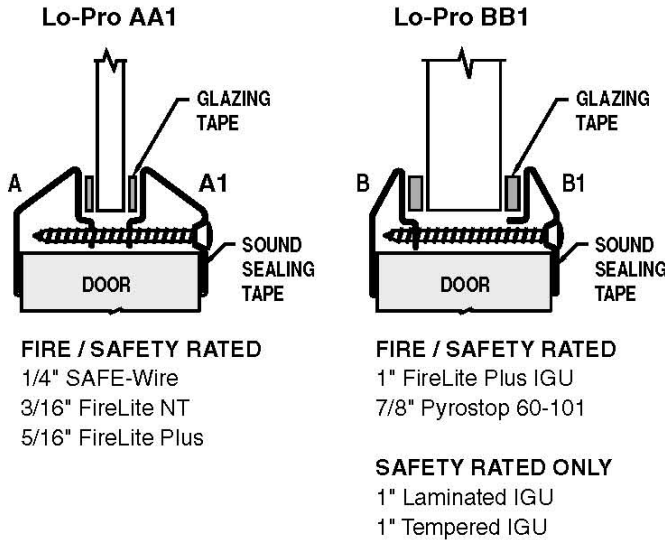
- **MATERIAL:** #304 or #316 Stainless Steel, #4 Finish(Satin), Galvanized (Coil, Hot Dipped or Electro Plated), Mill Finish or Anodized Aluminum (#5052 Alloy), 16 gauge Cold Rolled Steel or Stainless Steel.
- **FINISH:** Custom Baked Enamel Colors (as per sample paint chip, supplied by customer).
- **FASTENERS:** Special Security Screw Fasteners, See Page 14, this section.
- **SPECIALS:** Fractional sizes (frame dimension is increased to accommodate odd size). Mesh insect screens are loose, attached or framed. (Galvanized, Aluminum, Charcoal Aluminum, Stainless Steel.) For detail drawings see pages 12 and 13 this section.

FIRE RATINGS

- **AFDL and AFDL-T are not fire rated.**
- **NOTE:** For Exterior use, High Humidity or Salt Air application, product must be Galvanized or Stainless Steel.

STC METAL VISION LITE KITS

DETAIL DRAWING



Anemostat manufacturing dimensions $\pm 1/32$
 Actual dimensions are nominal and may vary
 based on component manufacturers tolerances.

STANDARD PRODUCT FEATURES

- MATERIAL:** 20 GA. Cold Rolled Steel.
- FINISH:** Grey Primer, Beige or Bronze Baked Enamel.
CAUTION: Sound Sealing Tape should not be exposed to a heat treating process from post factory applied finishes, such as powder coating.
- INSTALLATION:** Our most popular product is easy to install and provides a low profile, flush to the door look. Uses 1 3/4" sheet metal screws that pass through the door cutout, and fastens to the opposite side of the vision frame. Vision frame comes with sound sealing tape applied to the underside perimeter of both frame sides.
- DOOR THICKNESS:** For 1 3/4" Wood or Metal Doors.
- GLAZING:** Glass is supplied with GT Glazing Tape for both sides
- AESTHETICS:** Tight mitered corners, beveled glass stop and low profile, provide a clean tapered look.
- IMPORTANT:** Interpretation of building and fire codes may vary. Consult with the local authority having jurisdiction in your area, to determine appropriate standards.
- NOTE:** For Exterior use, High Humidity or Salt Air application, product must be Galvanized or Stainless Steel.

OPTIONAL FEATURES

- MATERIAL:** #304 or #316 Stainless Steel, #4 Finish (Satin), Galvanized (Coil, or Zinc Plated).
- FINISH:** Custom Baked Enamel Colors (as per sample chip supplied). Plated Finishes to match the lock, hinges and closer.
- FASTENERS:** Special Security Screw Fasteners, See Page 36, this section.
- SPECIALS:** Fractional Sizes
- HM CLIP:** Replaces the need for reinforcing channel in the door cutout, see page 37 this section.

FIRE RATINGS (w/ U.L. classification markings) Positive Pressure

- See appropriate Glazing Product Tech Data page

SOUND RATINGS

- LoPro-STC with 1/4" SAFE-Wire:* STC - 38
- LoPro-STC with 3/16" FireLite NT:* STC - 35
- LoPro-STC with 5/16" FireLite Plus:* STC - 38
- LoPro-STC with 1" FireLite Plus IGU:* STC - 42
- LoPro-STC with 7/8" Pyrostop 60-101 23mm:* STC - 41
- LoPro-STC with 1" Laminated IGU: STC - 42 (Safety Rated Only)
- LoPro-STC with 1" Tempered IGU: STC - 35 (Safety Rated Only)

TESTED IN ACCORDANCE WITH: ASTM E90-09 and ASTM E2235-04.
 STC measurements determined in accordance with ASTM E413-04.
 Testing conducted at Western Electro - Acoustic Laboratory, Santa Clarita, CA.
 * Fire Rated - see Glazing Section for ratings and maximum allowable sizes

TECHNICAL DATA

The LEED (Leadership in Energy and Environmental Design) Green Building Rating System was originally developed by the U.S. Green Building Council (USGBC) to provide a recognized standard for the construction industry to assess the environmental sustainability of building designs.

ABS Manufacturing is committed to engineering our manufacturing processes so that we may assist our customers in achieving their LEED certification rating. The chart below lists all of our product lines and what total LEED credits can be earned.

LEED Credit	LEED Criteria	Product Lines - Standard Construction						
Materials & Resources		Hollow	Economy PBC Core	Standard PBC Core	Heavy Duty PBC Core	Extra Heavy Duty SCL Core	Mineral Core	STC Core
MR 4	Recycled Content: 10% Pre-Consumer	YES	YES	YES	YES	No	No	No
MR 4	Recycled Content: 20% Pre-Consumer	YES	YES	YES	YES	No	No	No
MR 5	Regional materials: 10% if within 500 miles	YES*	YES*	YES*	YES*	YES*	YES*	No
MR 5	Regional materials: 20% if within 500 miles	YES*	YES*	YES*	YES*	YES*	YES*	No
MR 6	Rapidly Renewable Materials:	No	No	No	No	No	No	No
MR 7	FSC Certified Wood:	No	No	No	No	YES	YES	No
*Location of project determines eligibility. Extracted and Manufactured, Harvested or Recovered within 500 mile radius of project site.								
Indoor Environmental Quality								
IEQ 4.1	Low Emitting Materials: Adhesives & Sealants	YES**	YES**	YES**	YES**	YES**	YES**	YES**
IEQ 4.2	Low Emitting Materials: Paints & Coatings	YES**	YES**	YES**	YES**	YES**	YES**	YES**
IEQ 4.4	No Added Urea Formaldehyde	YES	YES	YES	YES	YES	YES	YES
IEQ 9	Acoustical Rating	No	No	No	No	No	No	Yes
**IEQ 4.1 & 4.2 applies to adhesives, sealants, paints and coatings applied at project site.								
Innovation in Design								
ID 2	LEED AP	YES	YES	YES	YES	YES	YES	YES

TECHNICAL DATA

The LEED (Leadership in Energy and Environmental Design) Green Building Rating System was originally developed by the U.S. Green Building Council (USGBC) to provide a recognized standard for the construction industry to assess the environmental sustainability of building designs.

ABS Manufacturing is committed to engineering our manufacturing processes so that we may assist our customers in achieving their LEED certification rating. The chart below lists all of our product lines and what total LEED credits can be earned.

LEED Credit	LEED Criteria	Product Lines - With Special Ordered Materials *Minimum quantities and special lead times will apply						
Materials & Resources		Hollow	Economy PBC Core	Standard PBC Core	Heavy Duty PBC Core	Extra Heavy Duty SCL Core	Mineral Core	STC Core
MR 4	Recycled Content: 10% Pre-Consumer	YES	YES	YES	YES	No	No	No
MR 4	Recycled Content: 20% Pre-Consumer	YES	YES	YES	YES	No	No	No
MR 5	Regional materials: 10% if within 500 miles	YES*	YES*	YES*	YES*	YES*	YES*	No
MR 5	Regional materials: 20% if within 500 miles	YES*	YES*	YES*	YES*	YES*	YES*	No
MR 6	Rapidly Renewable Materials:	No	YES	YES	YES	No	No	No
MR 7	FSC Certified Wood:	No	YES	YES	YES	YES	No	No
*Location of project determines eligibility. Extracted and Manufactured, Harvested or Recovered within 500 mile radius of project site.								
Indoor Environmental Quality								
IEQ 4.1	Low Emitting Materials: Adhesives & Sealants	YES**	YES**	YES**	YES**	YES**	YES**	YES**
IEQ 4.2	Low Emitting Materials: Paints & Coatings	YES**	YES**	YES**	YES**	YES**	YES**	YES**
IEQ 4.4	No Added Urea Formaldehyde	YES	YES	YES	YES	YES	YES	YES
IEQ 9	Acoustical Rating	No	No	No	No	No	No	YES
**IEQ 4.1 & 4.2 applies to adhesives, sealants, paints and coatings applied at project site.								
Innovation in Design								
ID 2	LEED AP	YES	YES	YES	YES	YES	YES	YES