

ARCHITECT:

PROJECT:

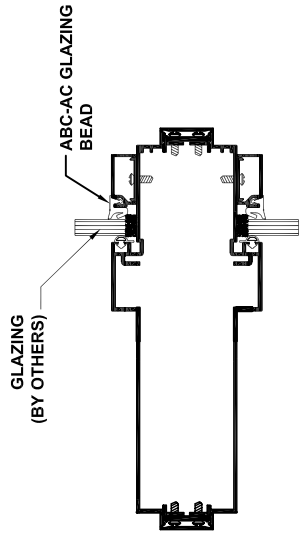
DISTRIBUTOR:

DATE:

SHEET:

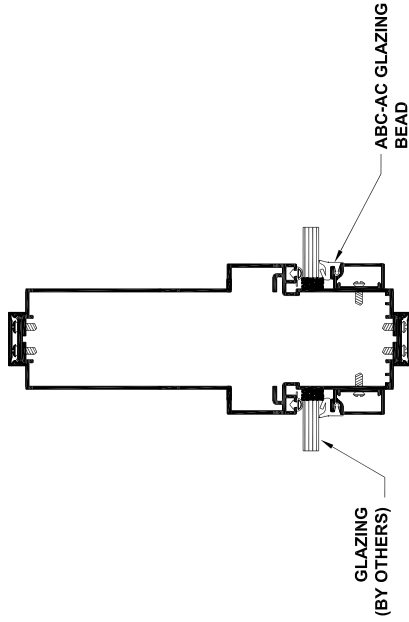
7-1/4" WALL - 1" TRIM

DOORMERICA
 ABS - Architectural Components
 8401 Ravenna Cir. Sacramento CA. 95828
 Toll Free Number: (866) 566-2161
 Phone Main: (916) 388-2161
 Fax: (916) 388-9336



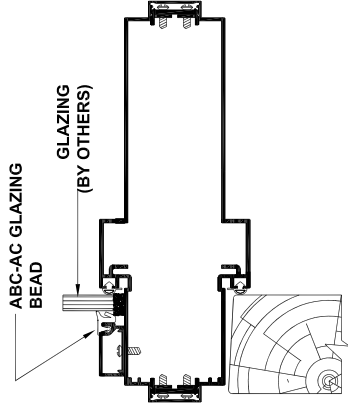
G

HORIZONTAL MULLION W/ 2" FACE
(2" TRIM)



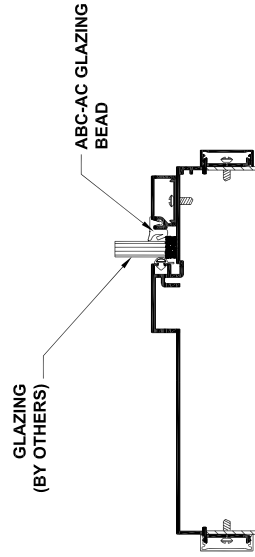
H

VERTICAL MULLION W/ 2" FACE
(2" TRIM)



I

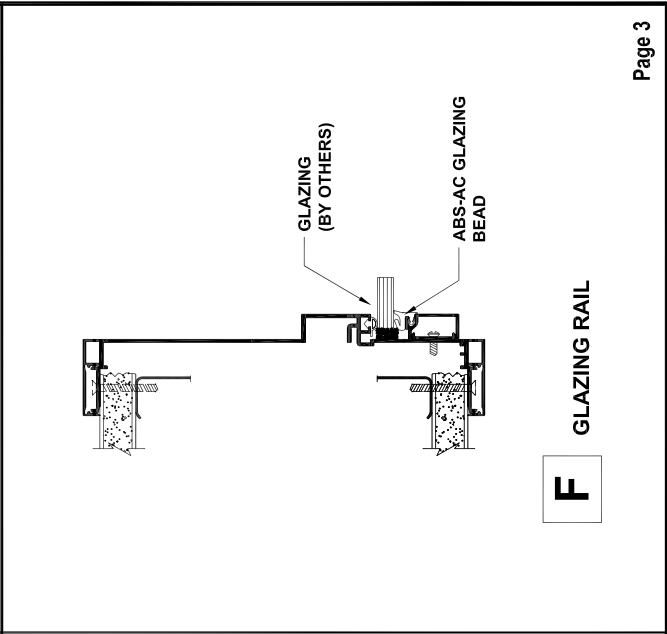
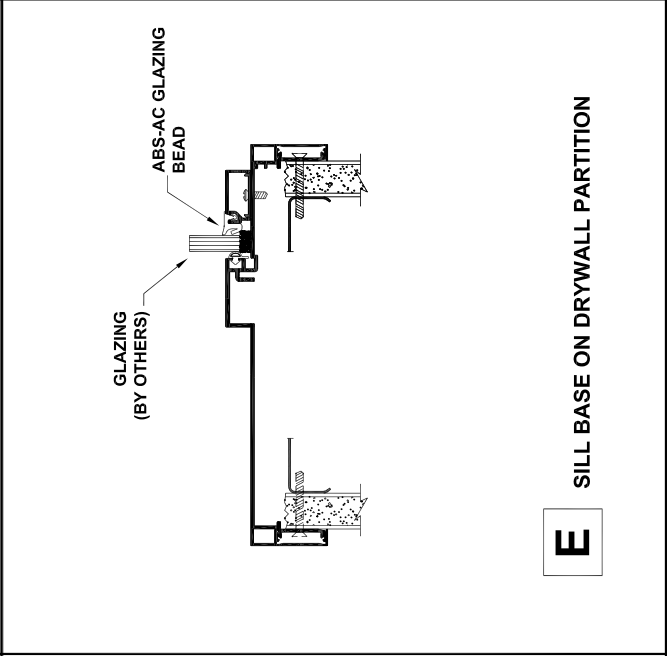
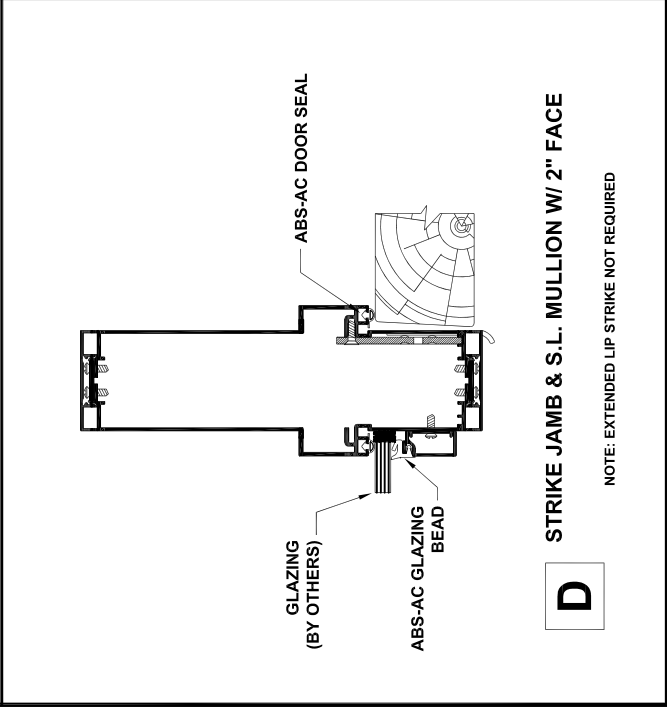
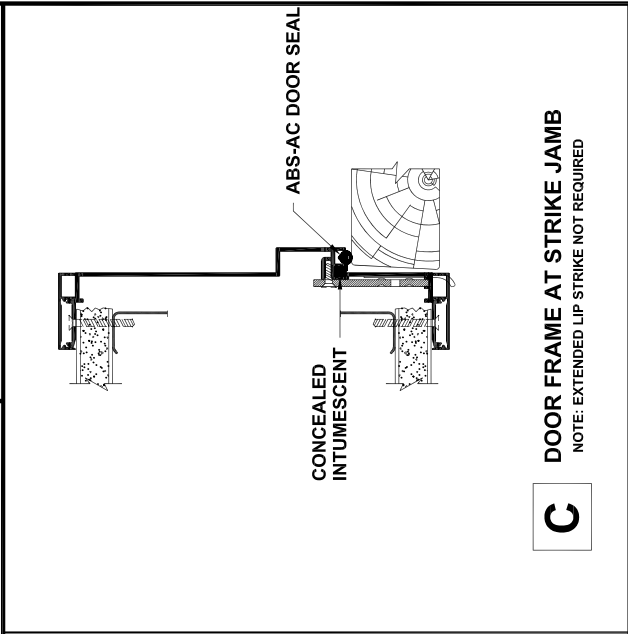
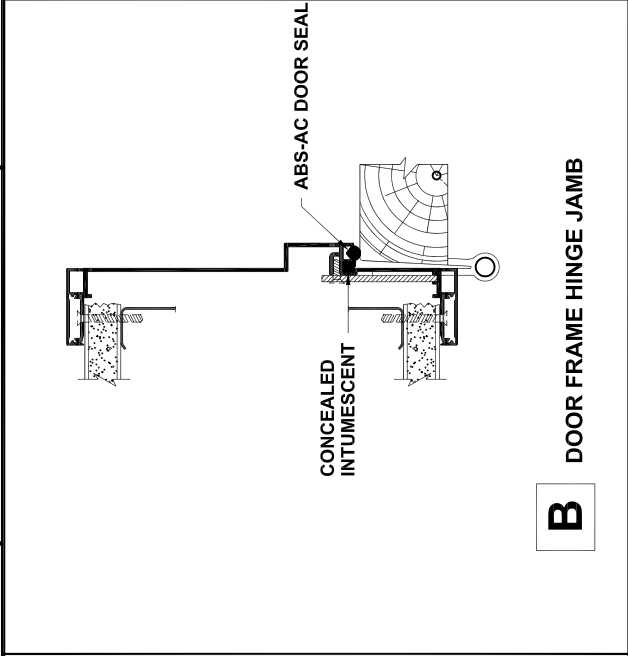
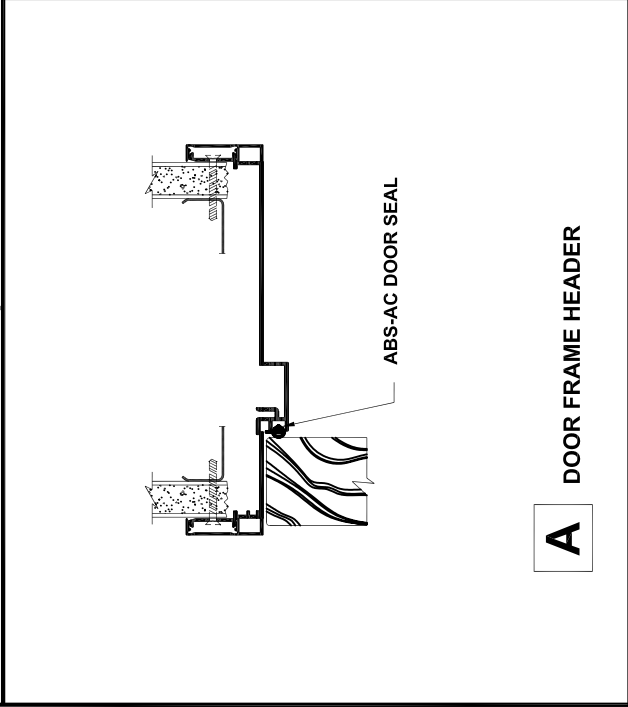
TRANSOM HEADER W/ 2" FACE
(2" TRIM)



J

SILL BASE WITH RETAINER

ARCHITECT:	PROJECT:	 <p>DOORMERICA ABS - Architectural Components 8401 Rovana Cir. Sacramento CA, 95828 Toll Free Number: (866) 566-2161 Phone Main: (916) 388-2161 Fax: (916) 388-9336</p>	DISTRIBUTOR:	DATE:	SHEET:
				7-1/4" WALL - 1-1/2" TRIM	



ARCHITECT:

PROJECT:

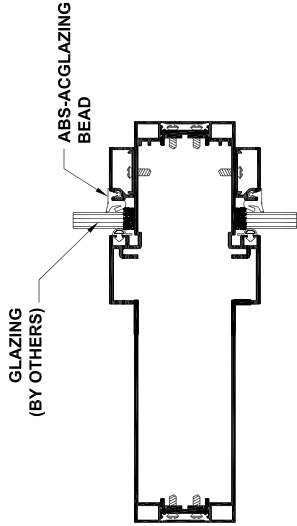
DISTRIBUTOR:

DATE:

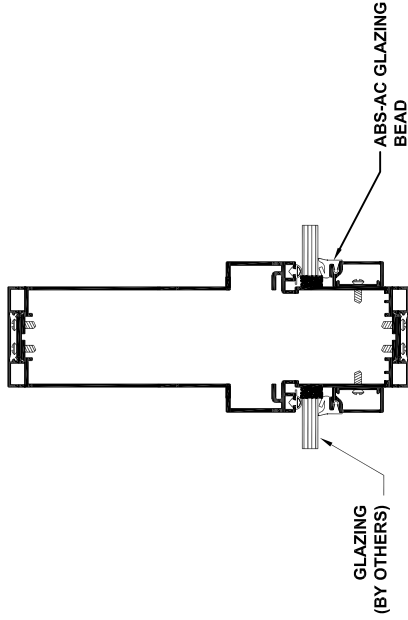
SHEET:

7-1/4" WALL - 1-1/2" TRIM

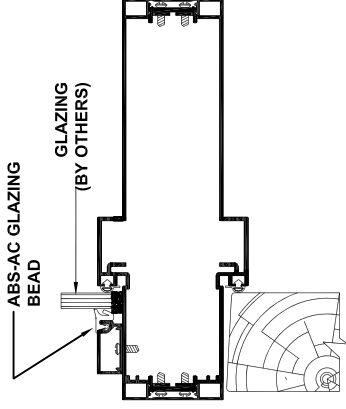
DOORMERICA
 ABS - Architectural Components
 8401 Ravenna Cir. Sacramento, CA. 95828
 Toll Free Number: (866) 566-2161
 Phone Main: (916) 388-2161
 Fax: (916) 388-9336



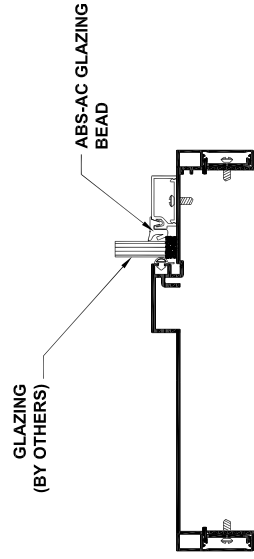
G HORIZONTAL MULLION W/ 2" FACE
 (2" TRIM)



H VERTICAL MULLION W/ 2" FACE
 (2" TRIM)



I TRANSOM HEADER W/ 2" FACE
 (2" TRIM)



J SILL BASE WITH RETAINER