

ARCHITECT:

PROJECT:



ABS - Architectural Components

8401 Rovana Cir. Sacramento CA. 95828

Toll Free Number: (866) 566-2161

Phone Main: (916) 388-2161

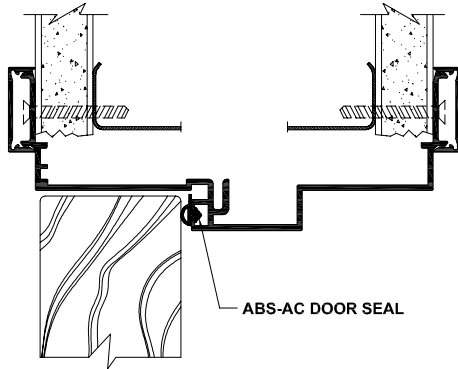
Fax: (916) 388-9336

DISTRIBUTOR:

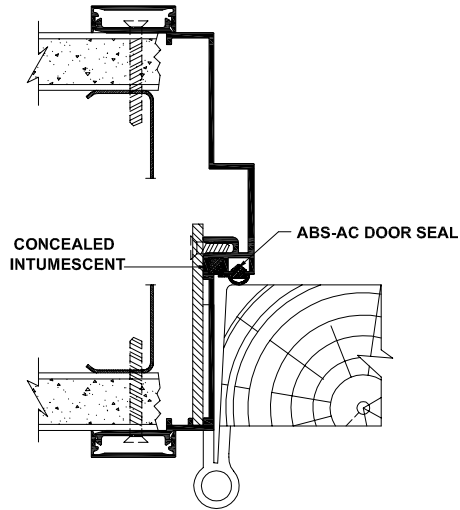
DATE:

SHEET:

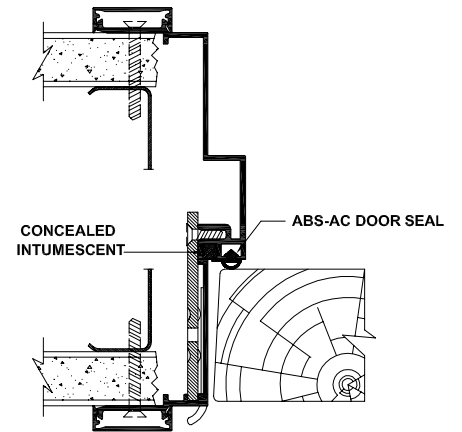
5-1/2" WALL - 1" TRIM



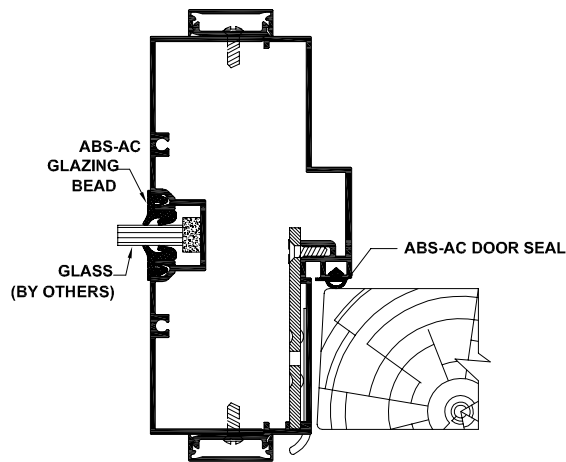
**A** DOOR FRAME HEADER



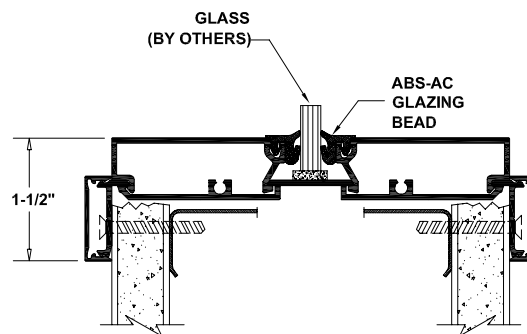
**B** DOOR FRAME HINGE JAMB



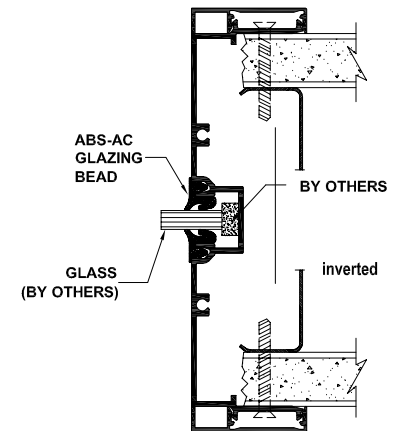
**C** DOOR FRAME STRIKE JAMB



**D** STRIKE JAMB & S.L. MULLION W/ 2" FACE



**E** SILL BASE ON DRYWALL PARTITION



**F** GLAZING RAIL

ARCHITECT:

PROJECT:



ABS - Architectural Components

8401 Rovana Cir. Sacramento CA. 95828

Toll Free Number: (866) 566-2161

Phone Main: (916) 388-2161

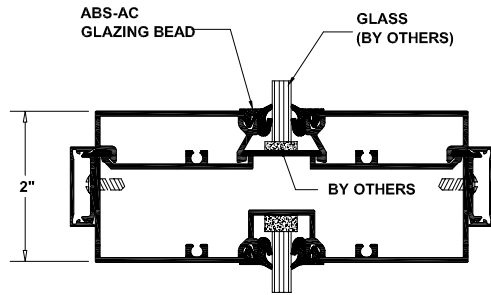
Fax: (916) 388-9336

DISTRIBUTOR:

DATE:

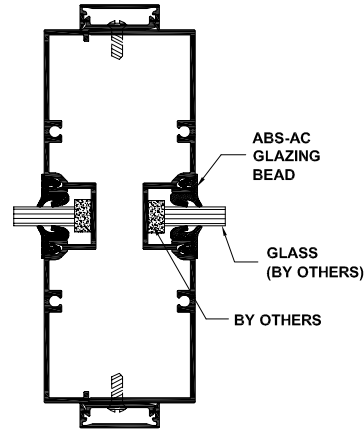
SHEET:

5-1/2" WALL - 1" TRIM



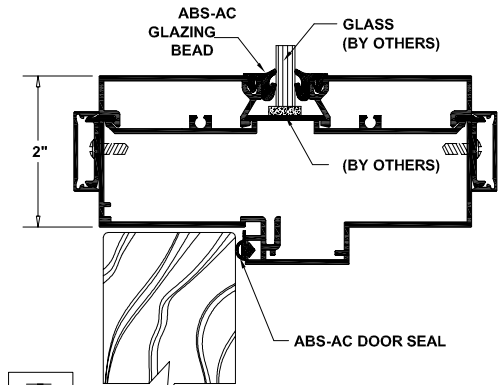
**G**

HORIZONTAL MULLION W/ 2" FACE



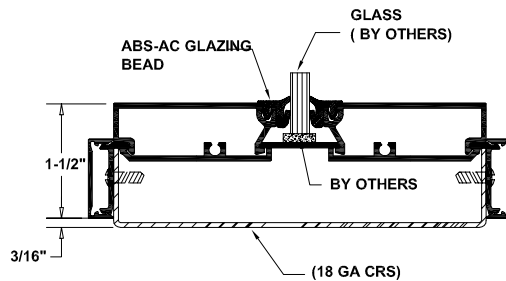
**H**

VERTICAL MULLION W/ 2" FACE



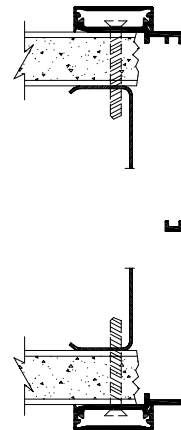
**I**

TRANSOM HEADER W/ 2" FACE



**J**

SILL BASE AND SILL STOP W/ RETAINER



**K**

CASSED OPENING