

ARCHITECT:

PROJECT:

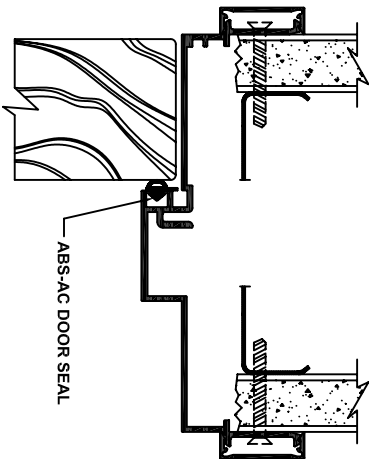
DOORMERICA
ABS - Architectural Components
 8401 Rovana Cir. Sacramento CA. 95828
 Toll Free Number: (866) 566-2161
 Phone Main: (916) 388-2161
 Fax: (916) 388-9336

DISTRIBUTOR:

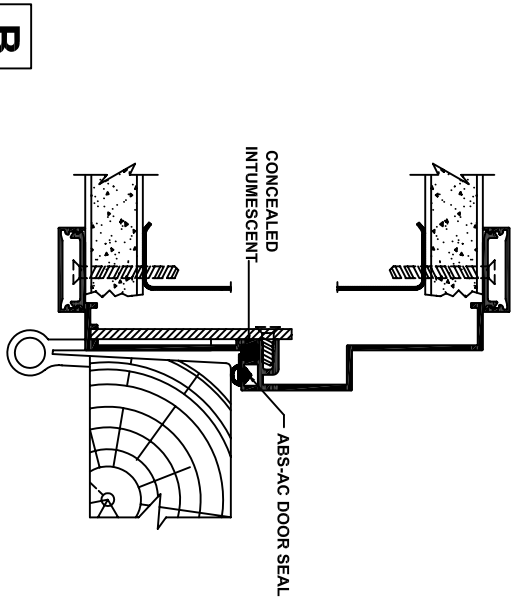
DATE:

SHEET:

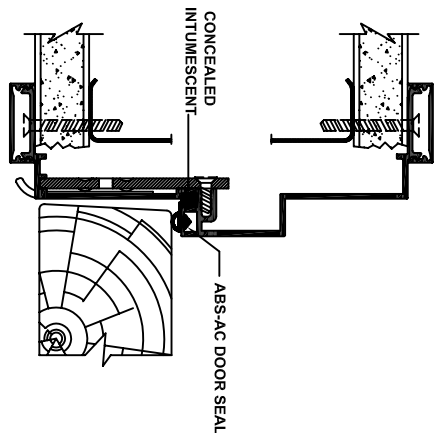
5-1/4" WALL - 1" TRIM



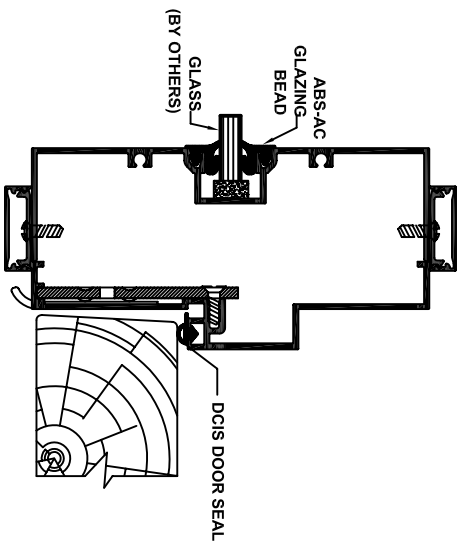
A DOOR FRAME HEADER



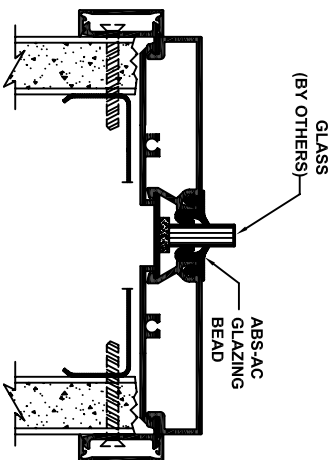
B DOOR FRAME HINGE JAMB



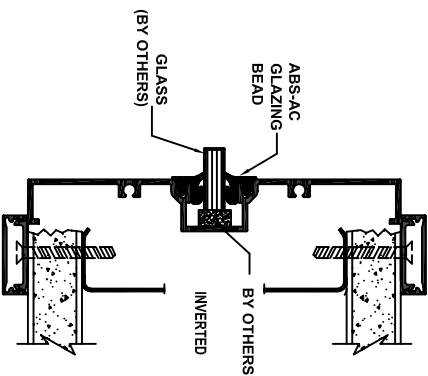
C DOOR FRAME STRIKE JAMB



D STRIKE JAMB & S.L. MULLION W/ 2" FACE



E SILL BASE ON DRYWALL PARTITION



F GLAZING RAIL

ARCHITECT:

PROJECT:

DOORMERICA
ABS - Architectural Components

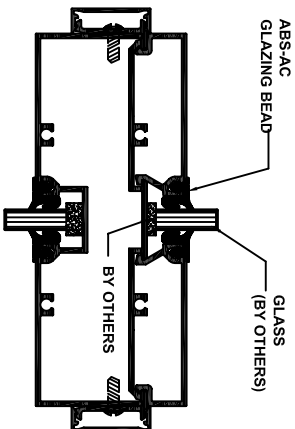
8401 Rovana Cir., Sacramento CA, 95828
Toll Free Number: (866) 566-2161
Phone Main: (916) 388-2161
Fax: (916) 388-9336

DISTRIBUTOR:

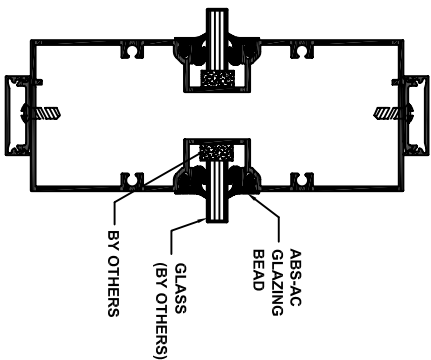
DATE:

SHEET:

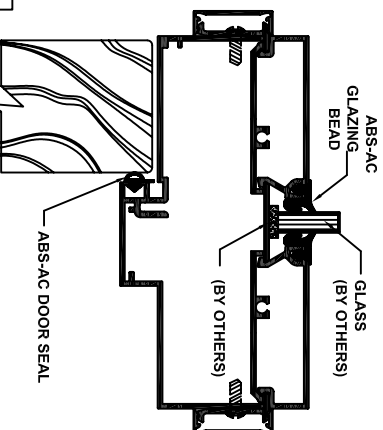
5-1/4" WALL - 1" TRIM



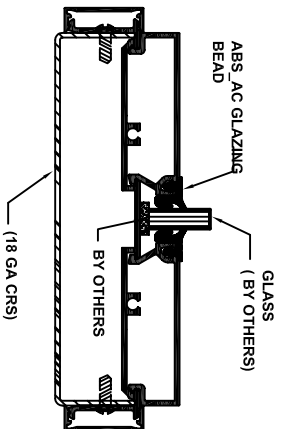
G
HORIZONTAL MULLION W/ 2" FACE



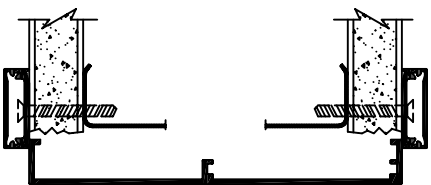
H
VERTICAL MULLION W/ 2" FACE



I
TRANSOM HEADER W/ 2" FACE



J
SILL BASE AND SILL STOP W/ RETAINER



K
CASED OPENING