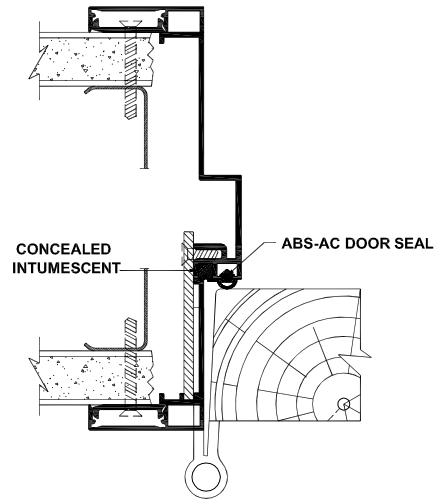
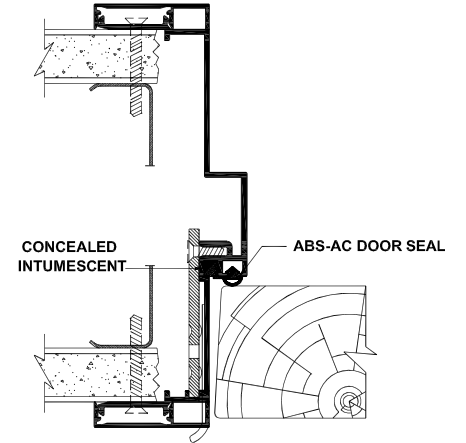


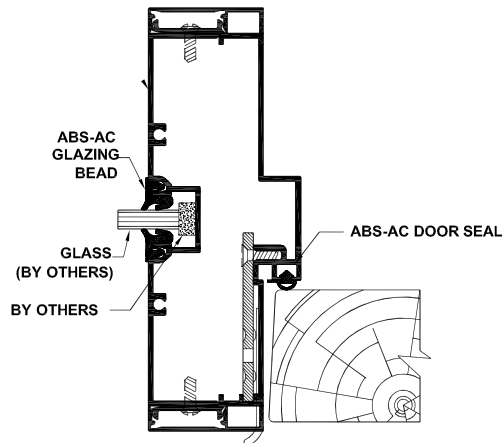
A DOOR FRAME HEADER



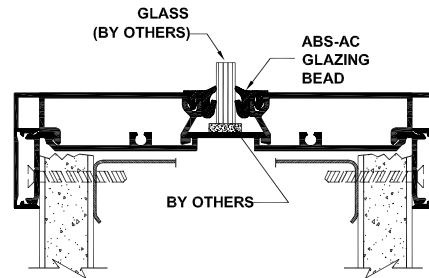
B DOOR FRAME HINGE JAMB



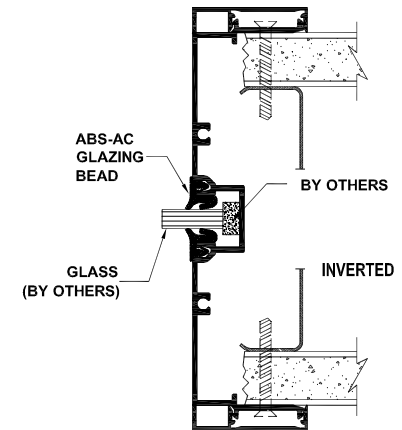
C DOOR FRAME STRIKE JAMB
NOTE: EXTENDED LIP STRIKE NOT REQUIRED



D STRIKE JAMB & S.L. MULLION W/ 1-1/2" FACE
NOTE: EXTENDED LIP STRIKE NOT REQUIRED



E SILL BASE ON DRYWALL PARTITION



F GLAZING RAIL

ARCHITECT:

PROJECT:



ABS - Architectural Components

8401 Rovana Cir. Sacramento CA. 95828

Toll Free Number: (866) 566-2161

Phone Main: (916) 388-2161

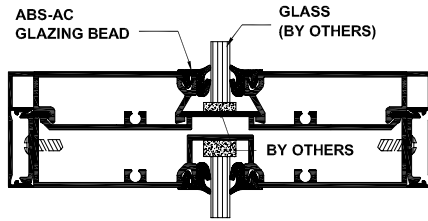
Fax: (916) 388-9336

DISTRIBUTOR:

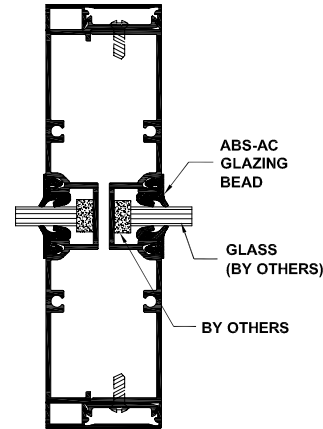
DATE:

SHEET:

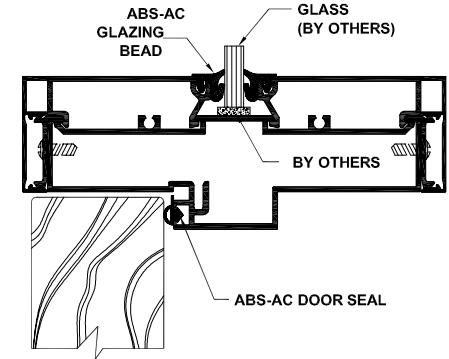
4-7/8" WALL - 1-1/2" TRIM



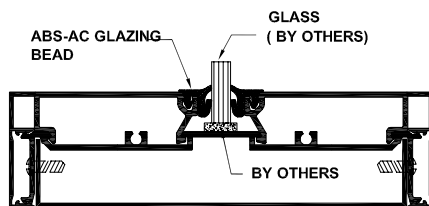
G HORIZONTAL MULLION W/ 1-1/2" FACE



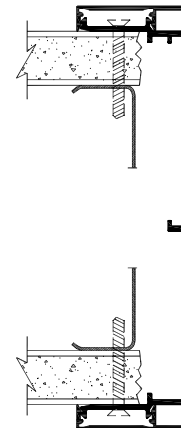
H VERTICAL MULLION W/ 1-1/2" FACE



I TRANSOM HEADER W/ 1-1/2" FACE



J SILL BASE AND SILL STOP W/ RETAINER



K CASSED OPENING