

ARCHITECT:

PROJECT:



**ABS - Architectural Components**

8401 Rovana Cir. Sacramento CA. 95828

Toll Free Number: (866) 566-2161

Phone Main: (916) 388-2161

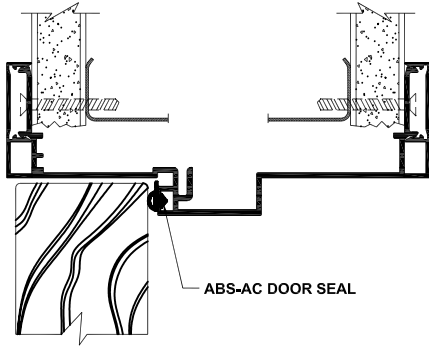
Fax: (916) 388-9336

DISTRIBUTOR:

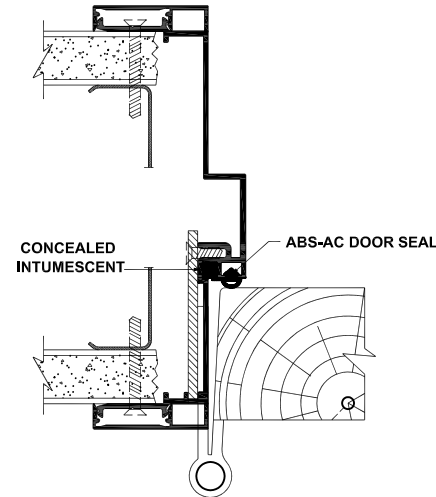
DATE:

SHEET:

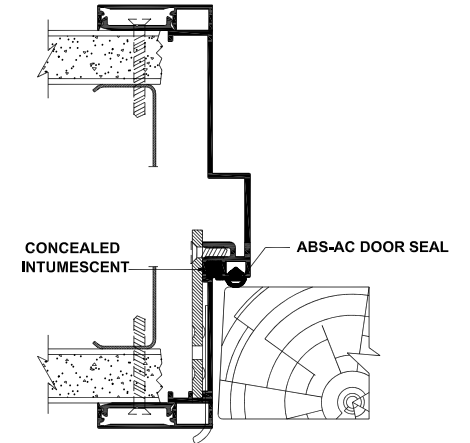
**5" WALL - 1-1/2" TRIM**



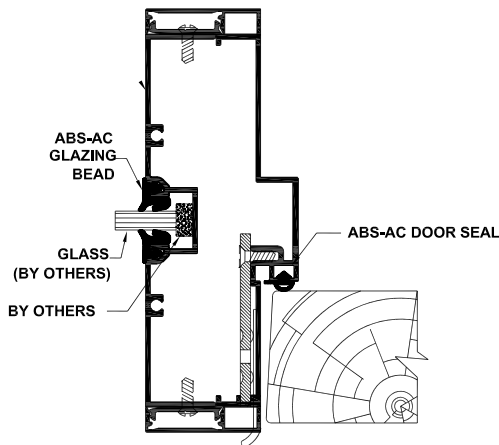
**A** DOOR FRAME HEADER



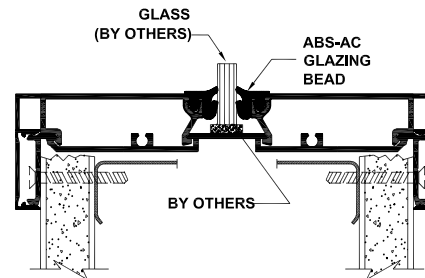
**B** DOOR FRAME HINGE JAMB



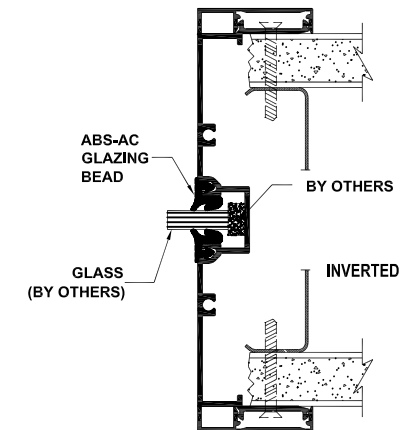
**C** DOOR FRAME STRIKE JAMB  
NOTE: EXTENDED LIP STRIKE NOT REQUIRED



**D** STRIKE JAMB & S.L. MULLION W/ 1-1/2" FACE  
NOTE: EXTENDED LIP STRIKE NOT REQUIRED



**E** SILL BASE ON DRYWALL PARTITION



**F** GLAZING RAIL

ARCHITECT:

PROJECT:



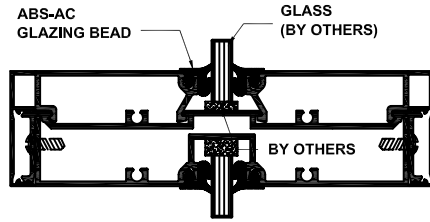
**ABS - Architectural Components**  
8401 Rovana Cir. Sacramento CA. 95828  
Toll Free Number: (866) 566-2161  
Phone Main: (916) 388-2161  
Fax: (916) 388-9336

DISTRIBUTOR:

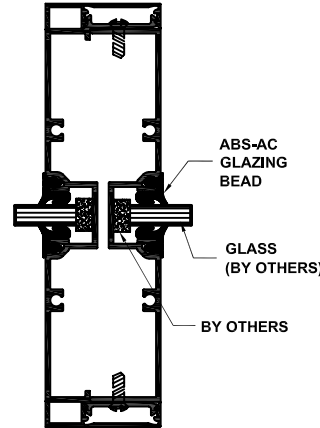
DATE:

SHEET:

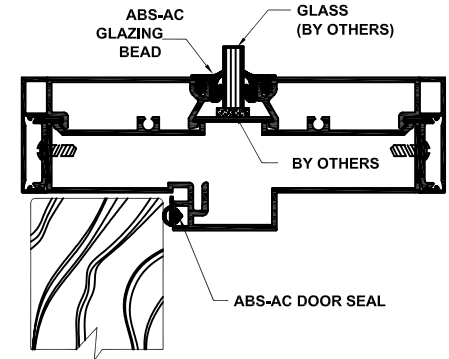
**5" WALL - 1-1/2" TRIM**



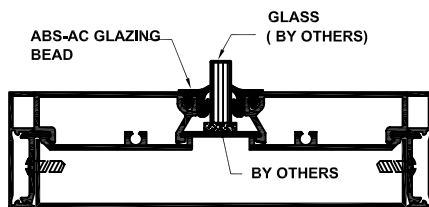
**G** HORIZONTAL MULLION W/ 1-1/2" FACE



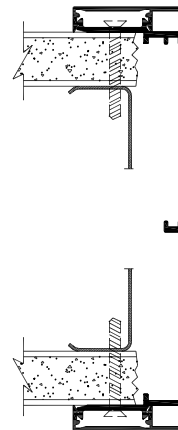
**H** VERTICAL MULLION W/ 1-1/2" FACE



**I** TRANSOM HEADER W/ 1-1/2" FACE



**J** SILL BASE AND SILL STOP W/ RETAINER



**K** CASED OPENING